

# **Basic PARTS IDENTIFICATION**

*FOR*

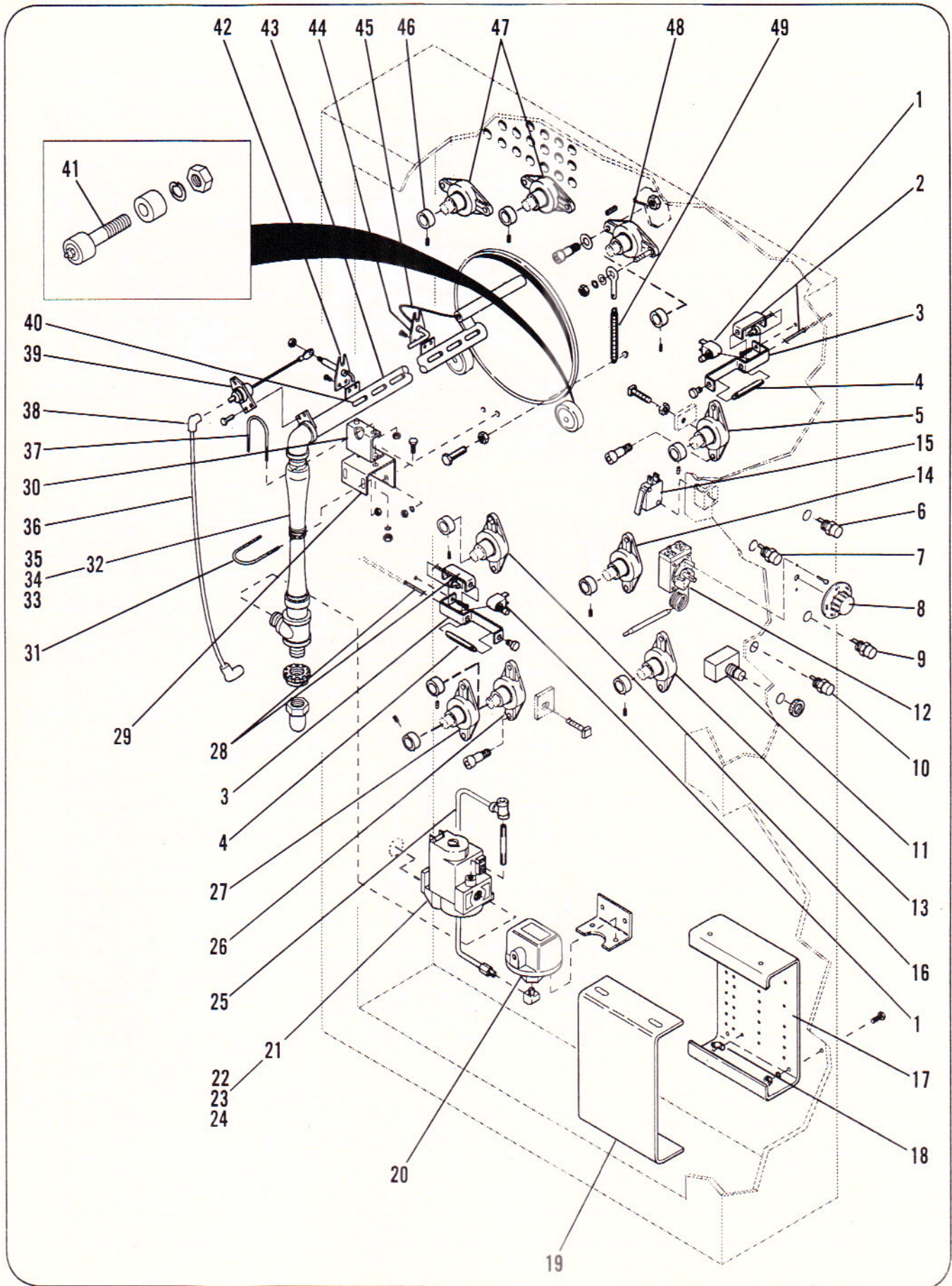
## **The Model 2400 FLATWORK IRONER**

**(Identificacion de los partes basicos del Modelo 2400  
FLATWORK IRONER)**

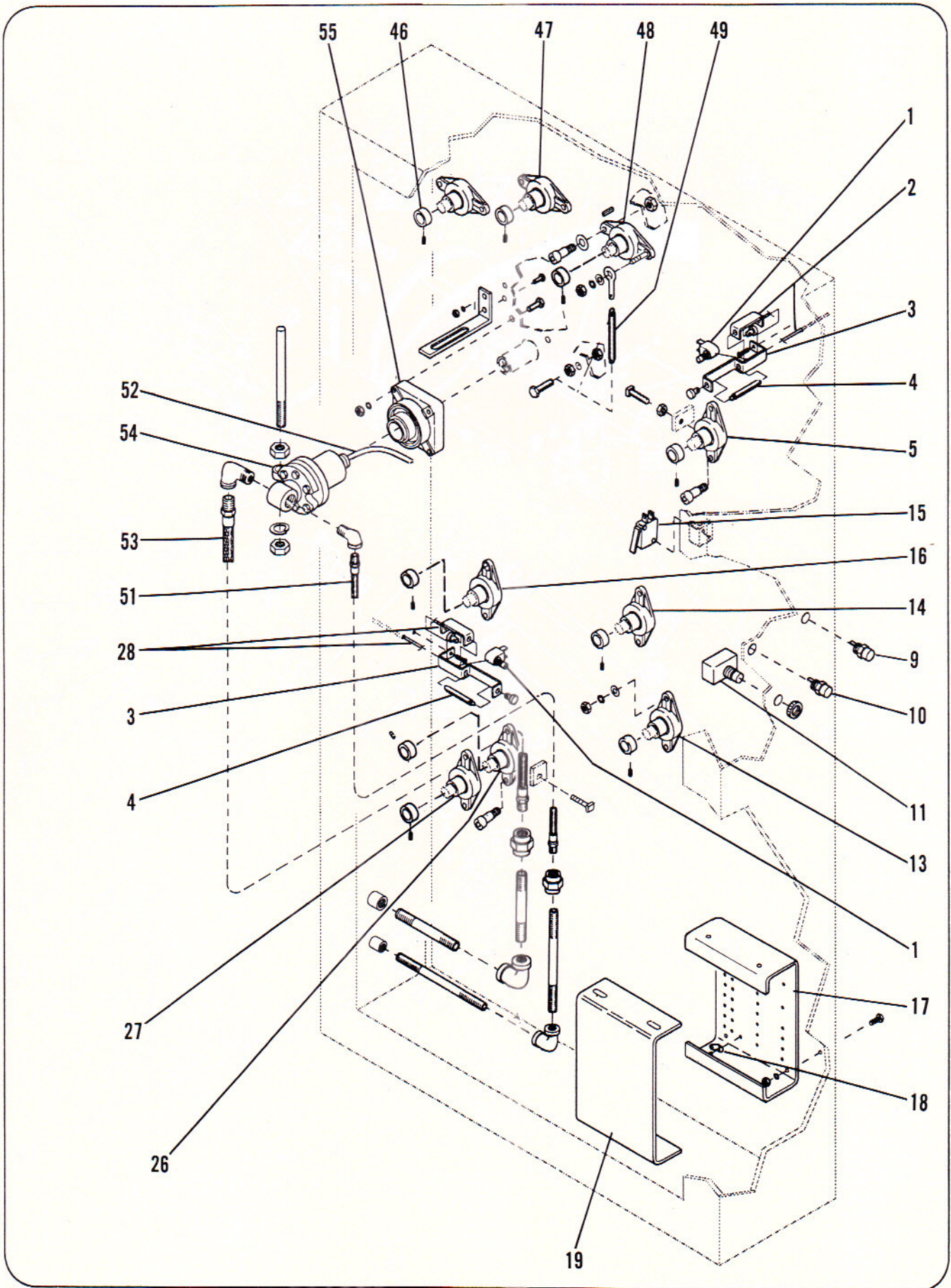
**The following is general parts I.D. numbering for the gas, steam, Model 2400 model. When contacting our parts department ( [parts@cmvsharperfinish.com](mailto:parts@cmvsharperfinish.com) , or 1-773-276-4800, ext. 12 ), have your model number and serial number available. State the referenced number of the part you need. Our parts department will then provide you the part number and description of the part.**

**Lo siguiente son las partes generales, numero de ID, Modelos del gas, vapor, de Modelo 2400. Comunicarse a nuestro departamento de partes a ( [parts@cmvsharperfinish.com](mailto:parts@cmvsharperfinish.com) , o al 1-773-276-4800, ext. 12 ). Tenga listos los numeros del modelo y de la serie. Indique el numero de la referencia de la parte que usted necesita. Entonces nuestro departamento de partes le proveera el numero y la descripcion de la parte requerida.**

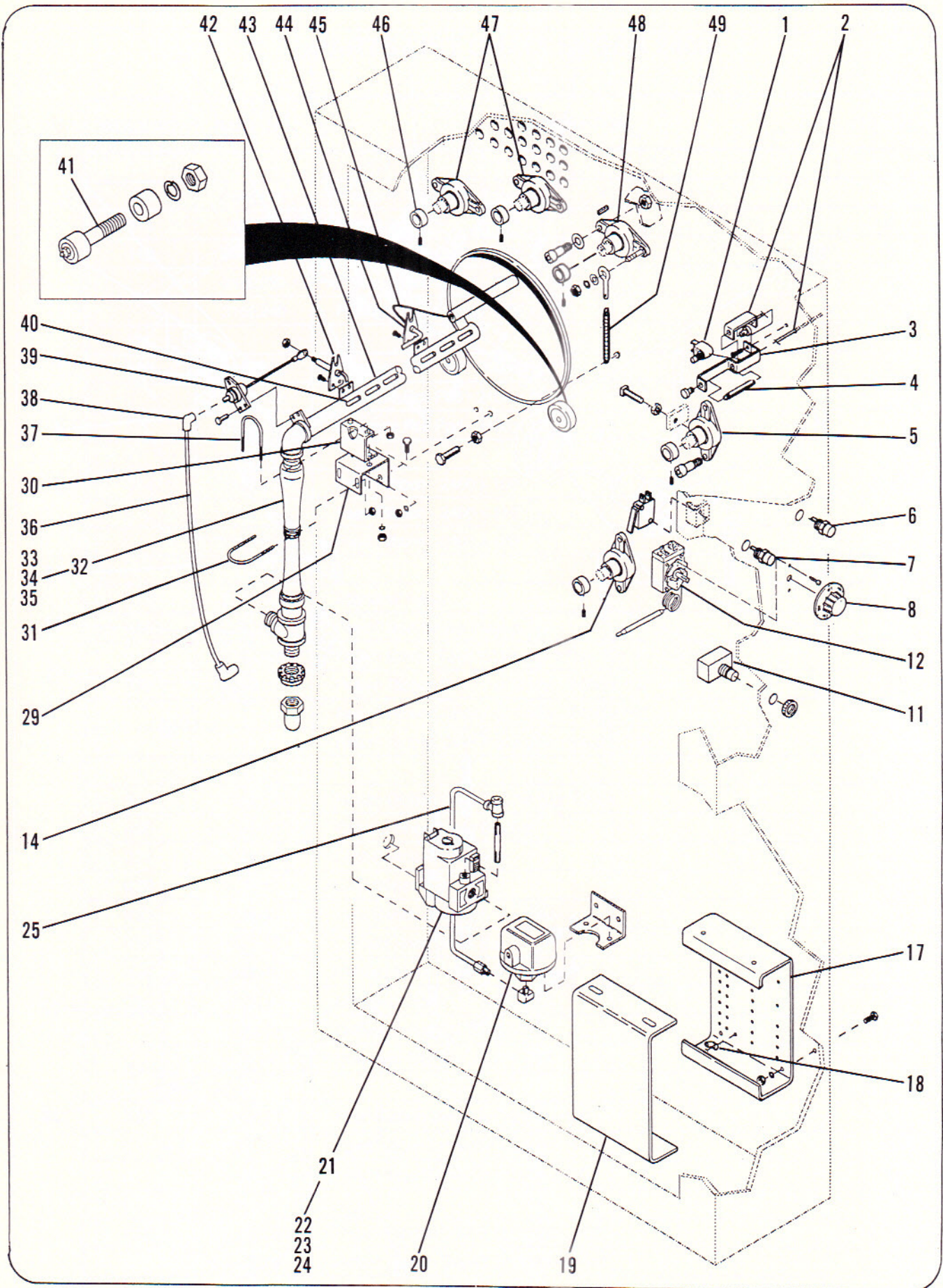
**Form: 2400PARTSID – 1**



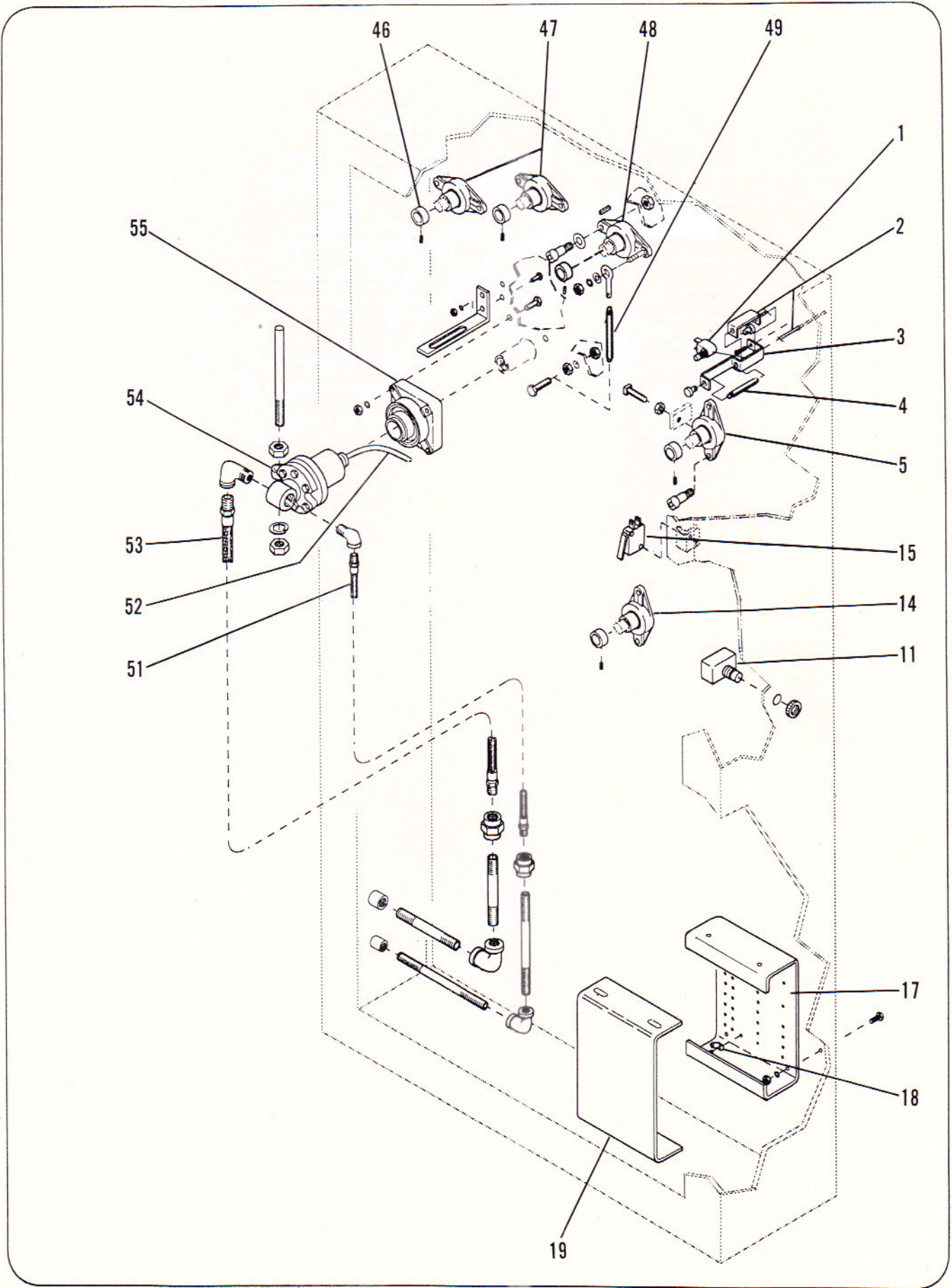
Model GR 2400 - Left End



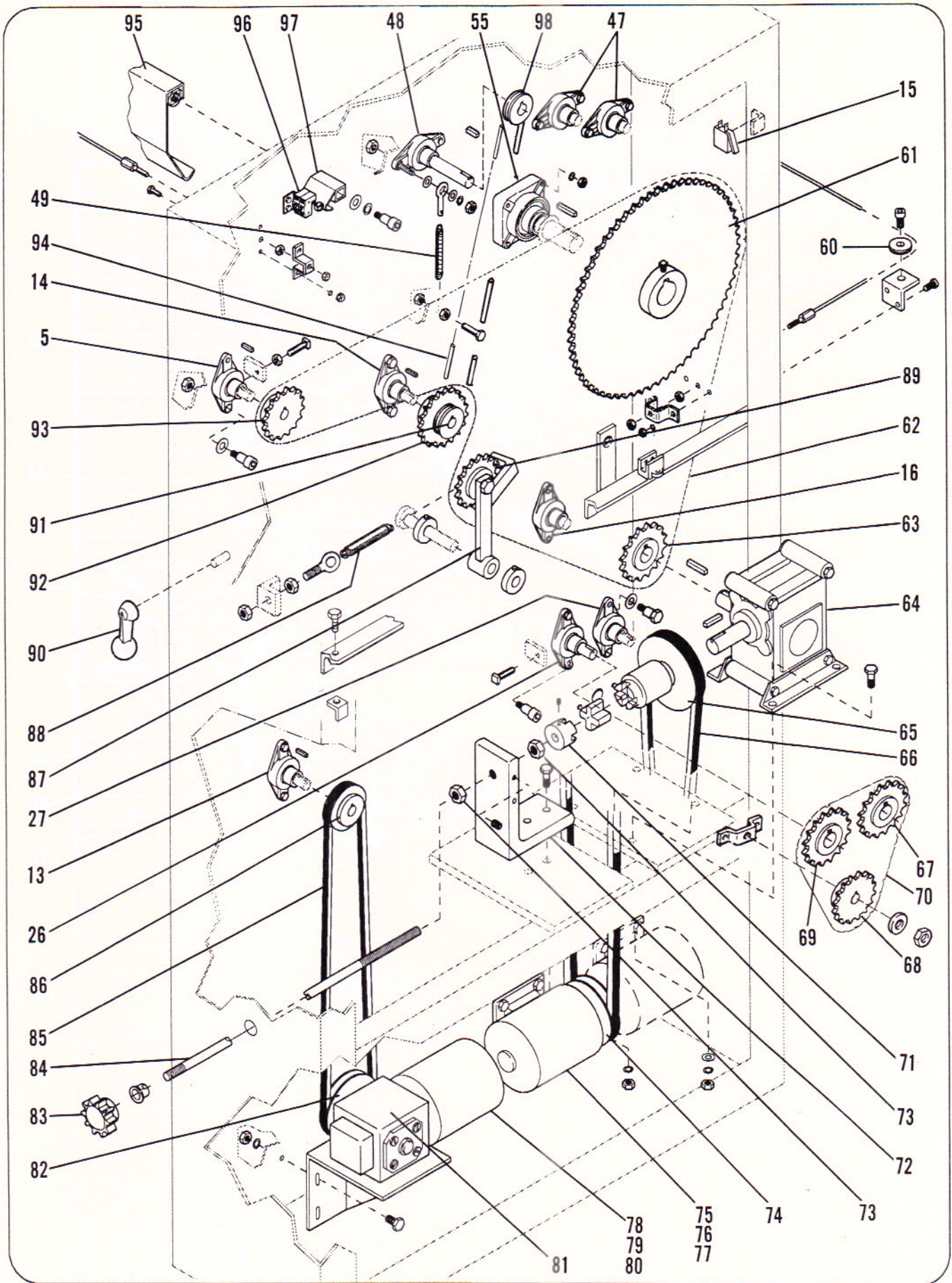
Model SR 2400 - Left End



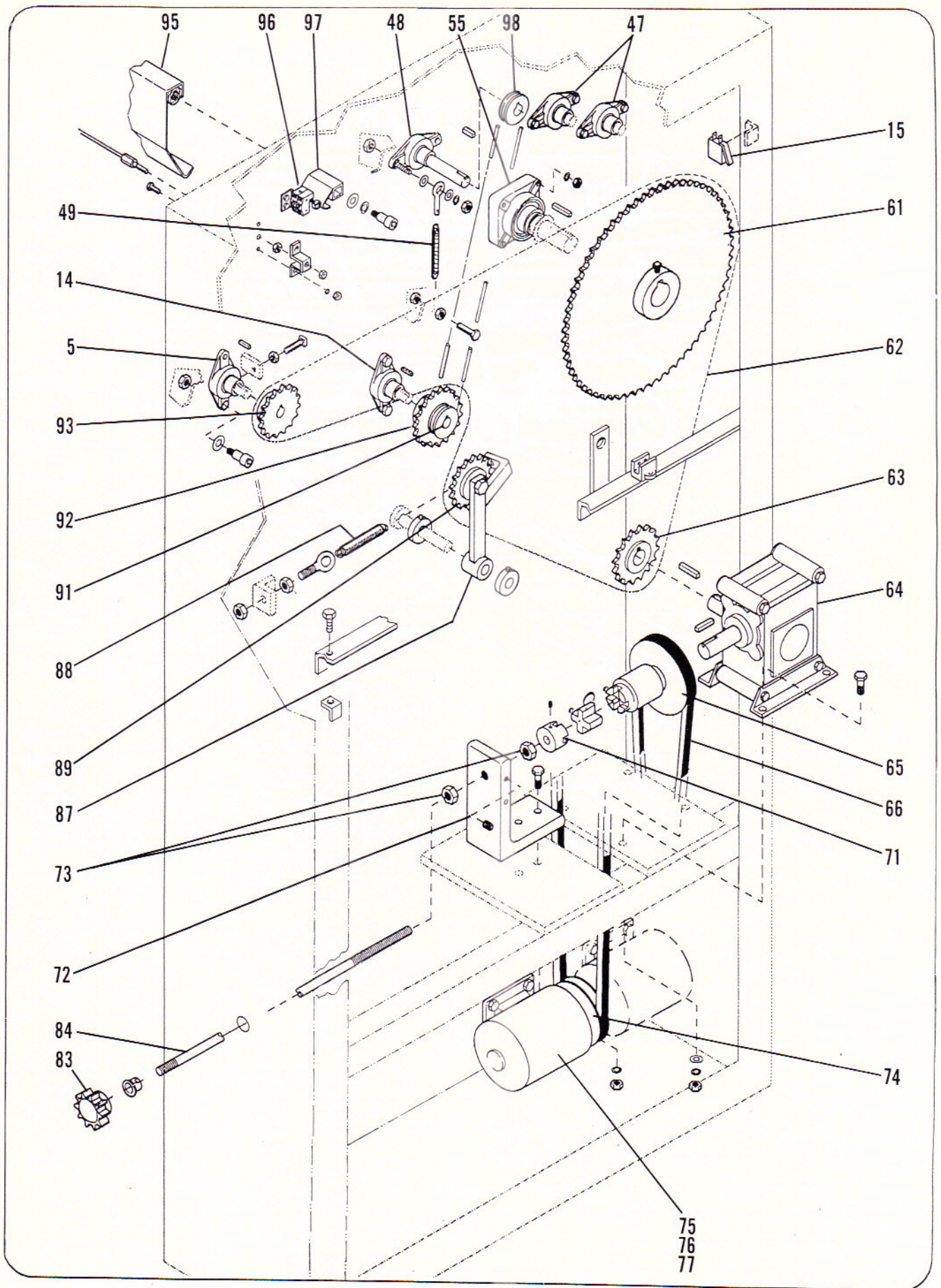
**Model GF 2400 - Left End**



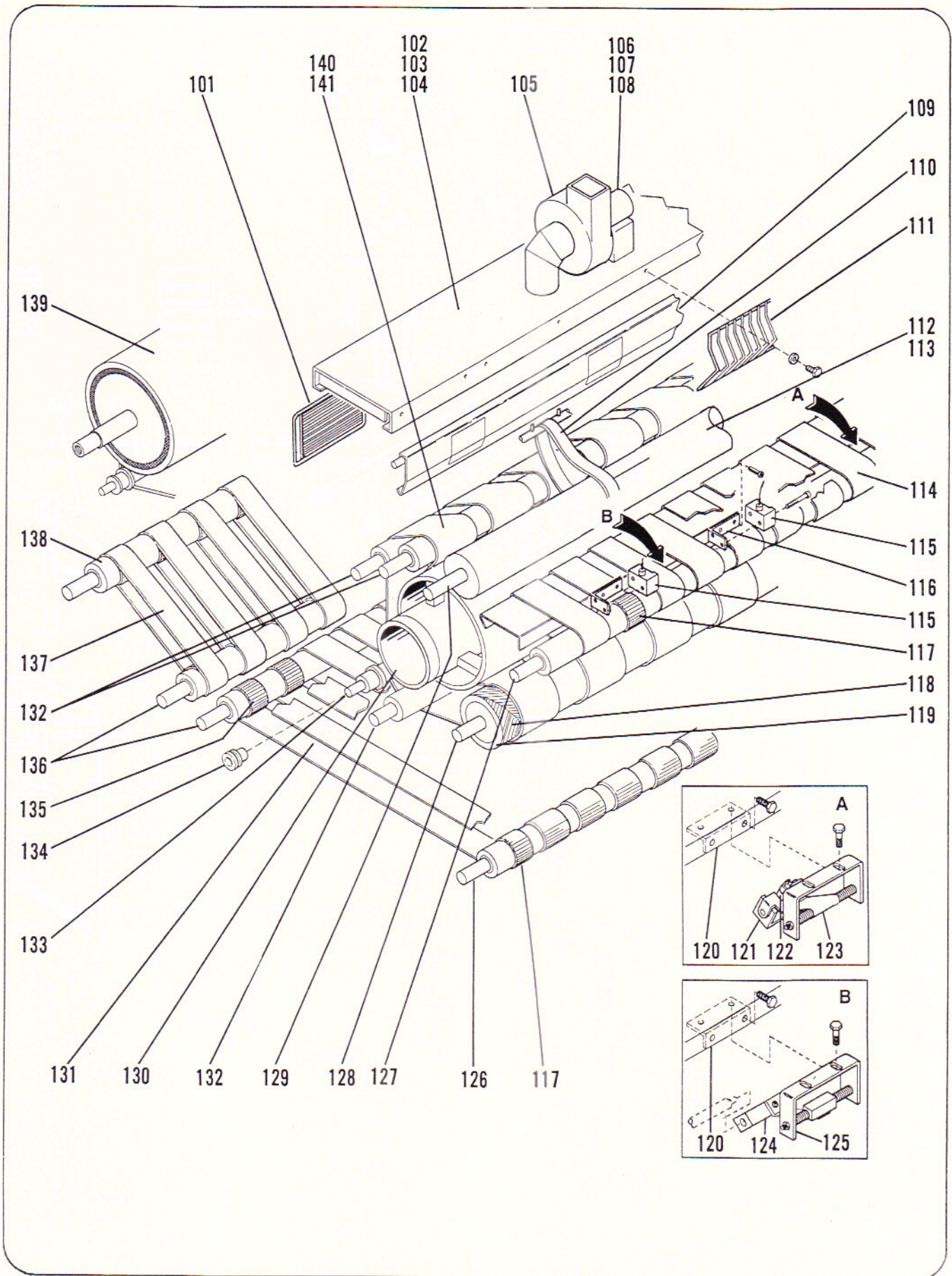
Model SF 2400 - Left End



Model GR or SR 2400 - Right End

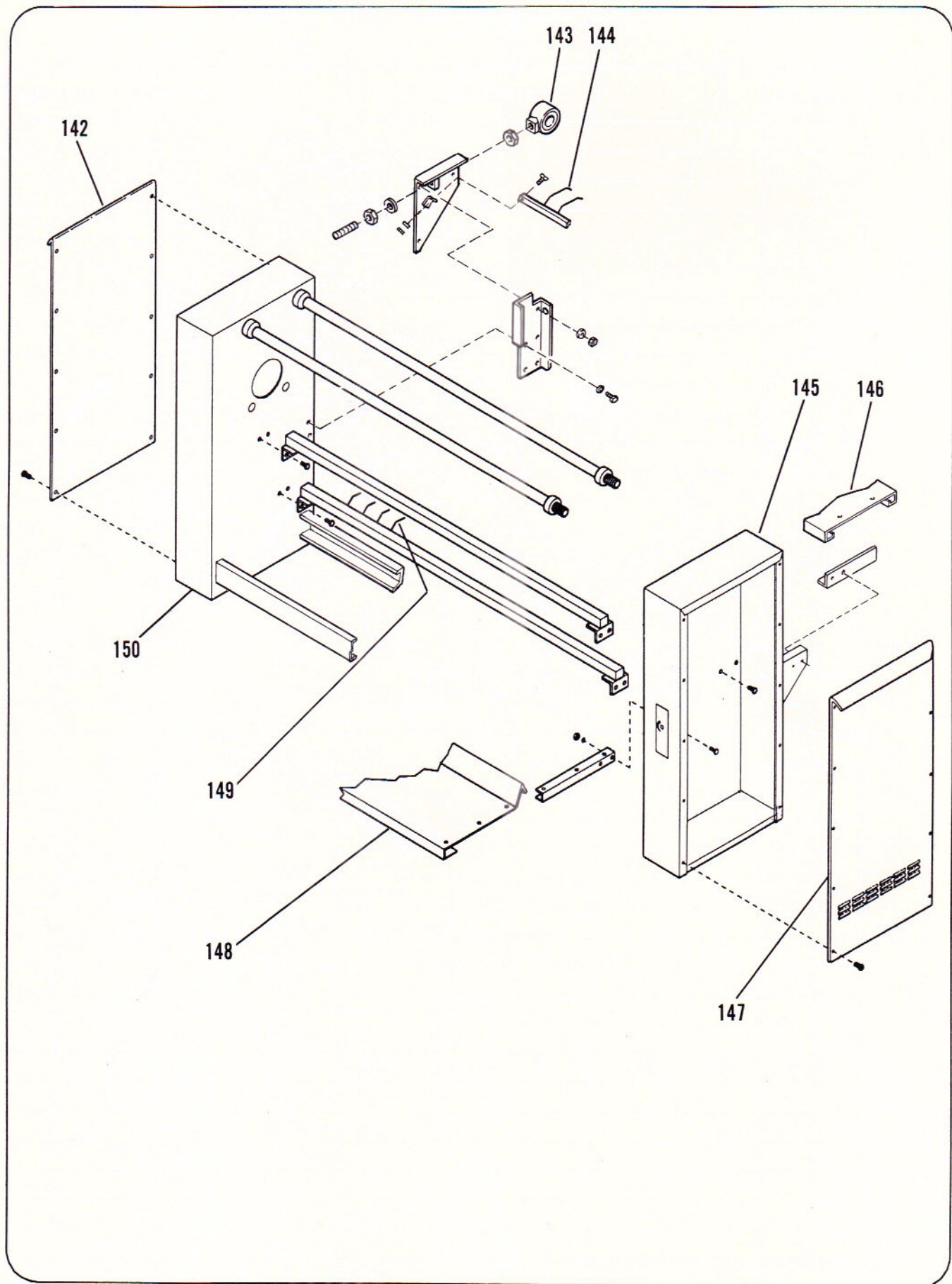


Model GF or SF 2400 - Right End



Model 2400 - Front View





Model 2400 - Frame

## Any Questions?

[parts@cmvsharperfinish.com](mailto:parts@cmvsharperfinish.com)

[service@cmvsharperfinish.com](mailto:service@cmvsharperfinish.com)

**CMV SHARPER FINISH, INC.**

4500 Augusta Boulevard • Chicago, Illinois 60651 U.S.A.

Phone (773) 276-4800 • Fax (773) 276-6878

[sales@cmvsharperfinish.com](mailto:sales@cmvsharperfinish.com)