

# **Basic PARTS IDENTIFICATION**

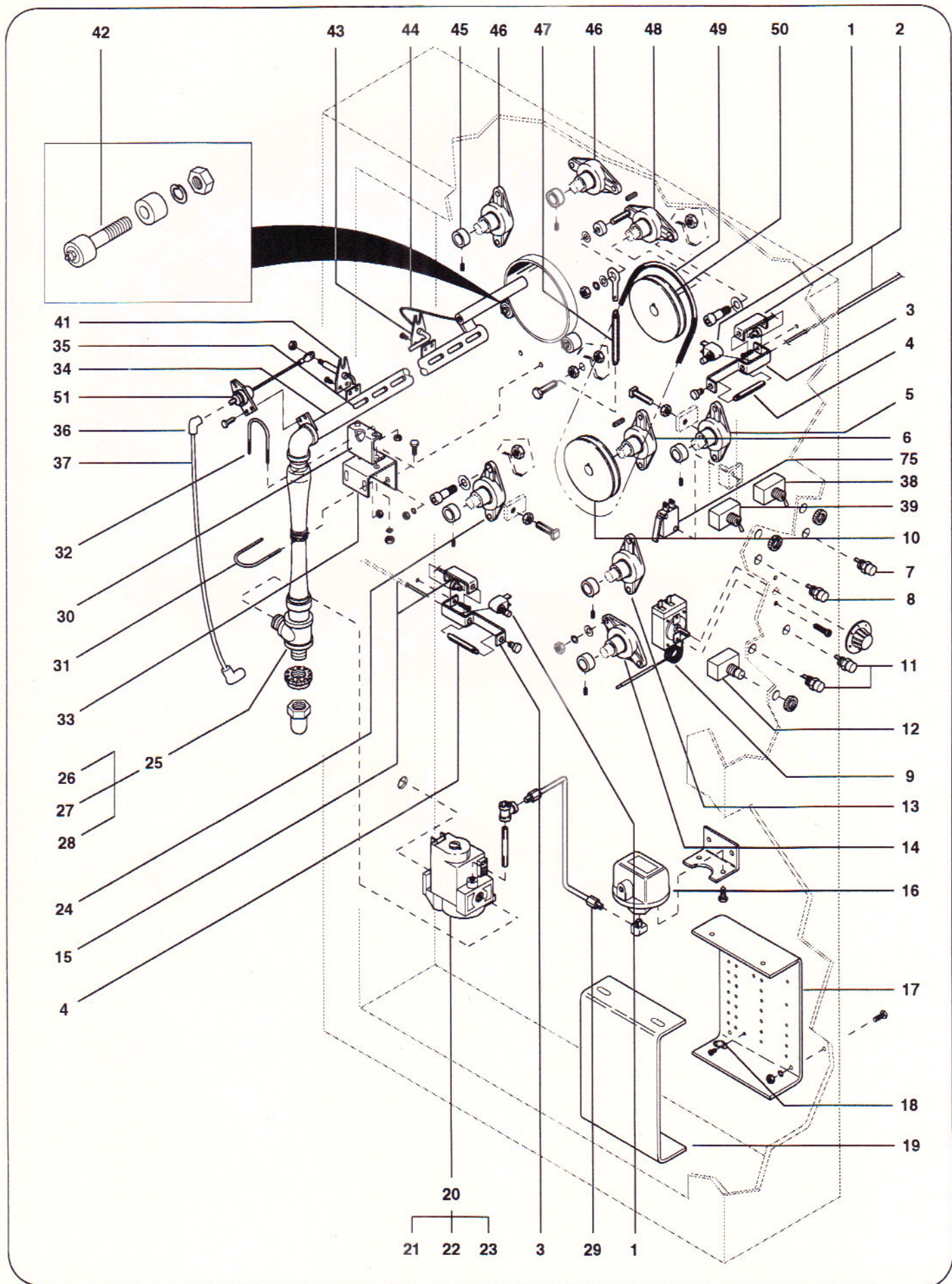
*FOR*

## **The Model 2000 and Finish Master 2000 FLATWORK IRONER**

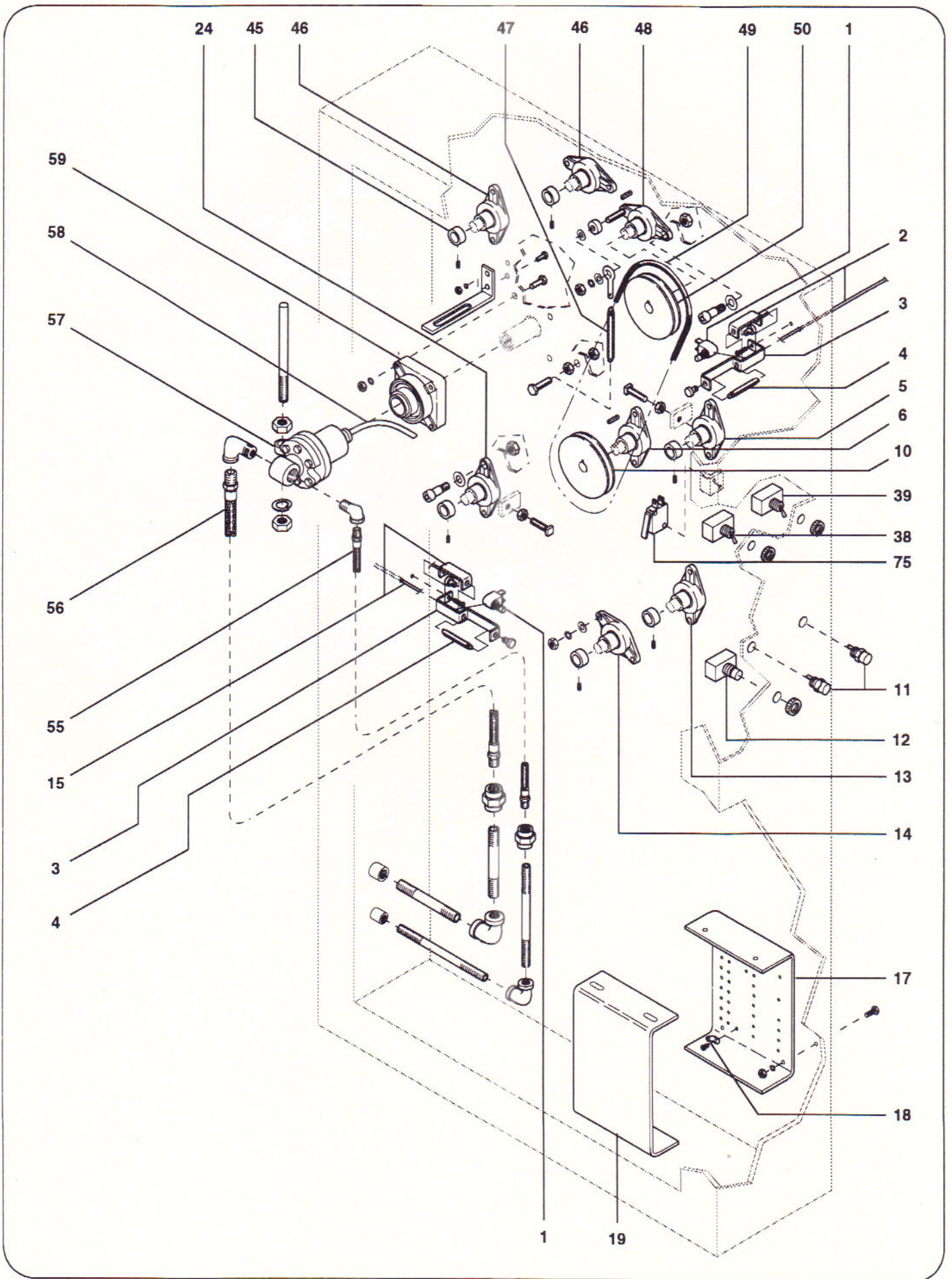
**(Identificación de los partes básicos del Modelo 2000 and Finish Master 2000  
FLATWORK IRONER)**

**The following is general parts I.D. numbering for the gas, steam, and electric Model 2000 and Finish Master 2000 models. When contacting our parts department ( [parts@cmvsharperfinish.com](mailto:parts@cmvsharperfinish.com) , or 1-773-276-4800, ext. 12 ), have your model number and serial number available. State the referenced number of the part you need. Our parts department will then provide you the part number and description of the part.**

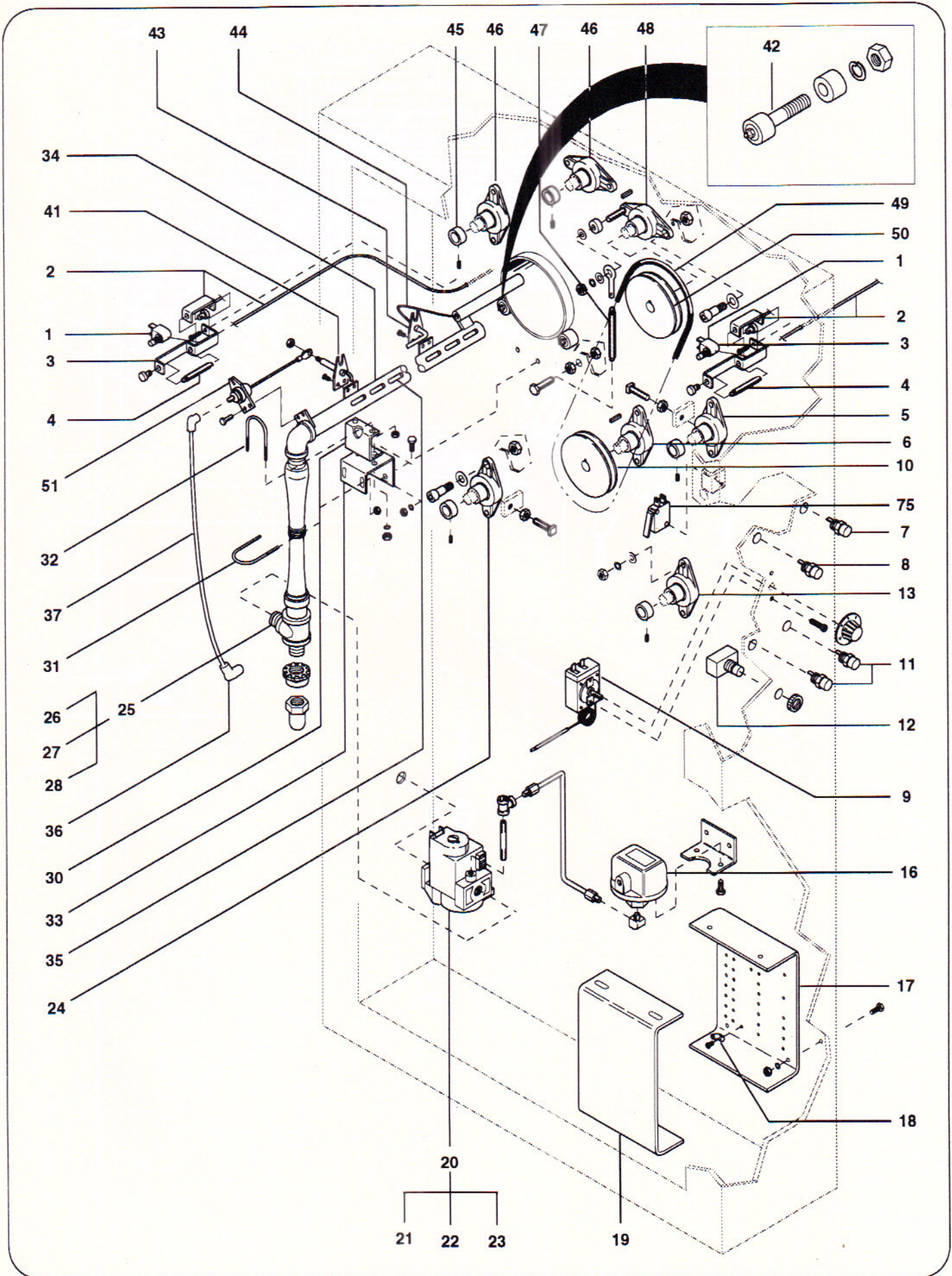
**Lo siguiente son las partes generales, numero de ID, Modelos del gas, vapor, y la electricidad de Modelo 2000 y Finish Master 2000 . Comunicarse a nuestro departamento de partes a ( [parts@cmvsharperfinish.com](mailto:parts@cmvsharperfinish.com) , o al 1-773-276-4800, ext. 12 ). Tenga listos los numeros del modelo y de la serie. Indique el numero de la referencia de la parte que usted necesita. Entonces nuestro departamento de partes le proveera el numero y la descripcion de la parte requerida.**



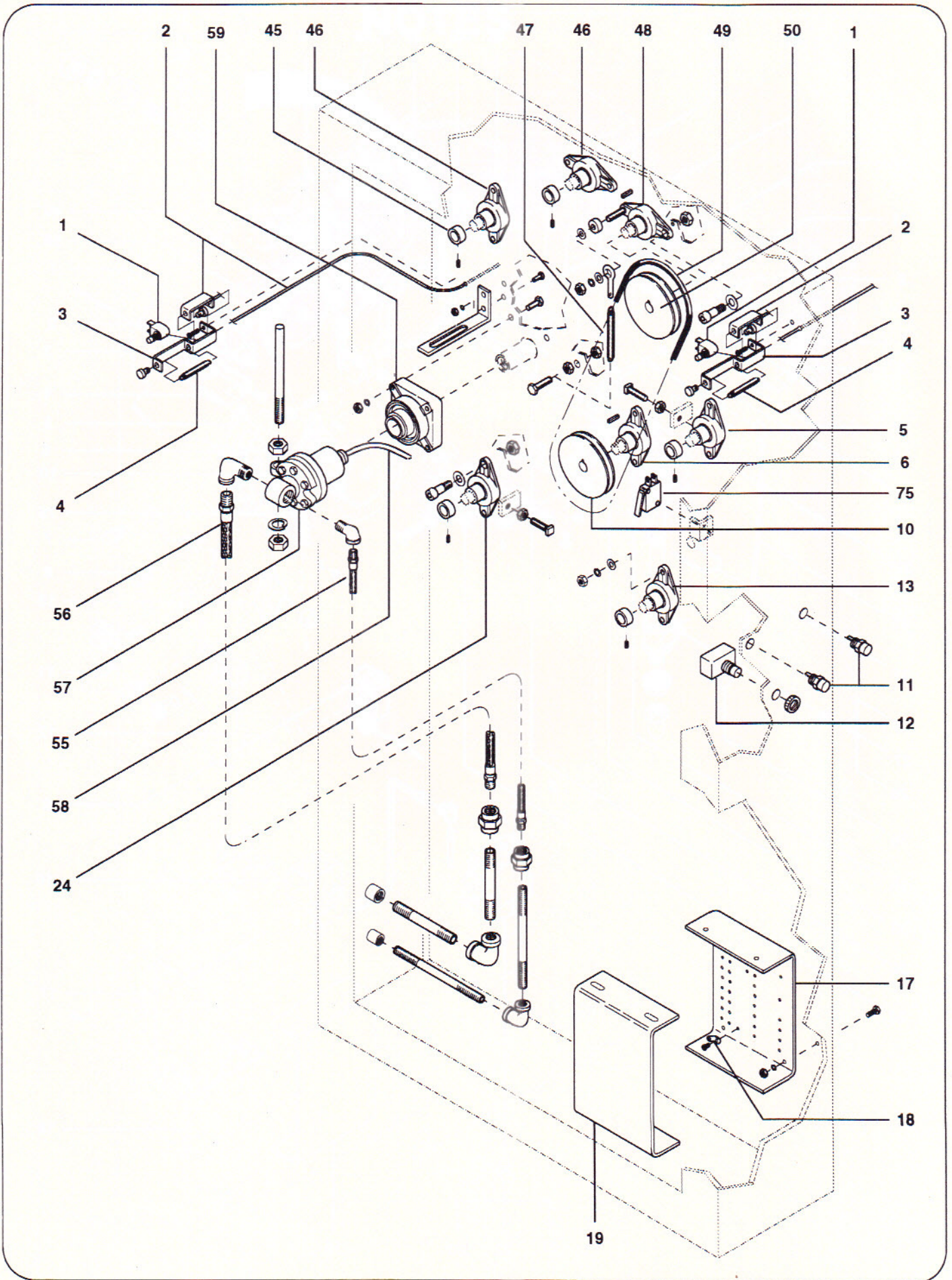
**MODEL G/AF 2000 - LEFT END**



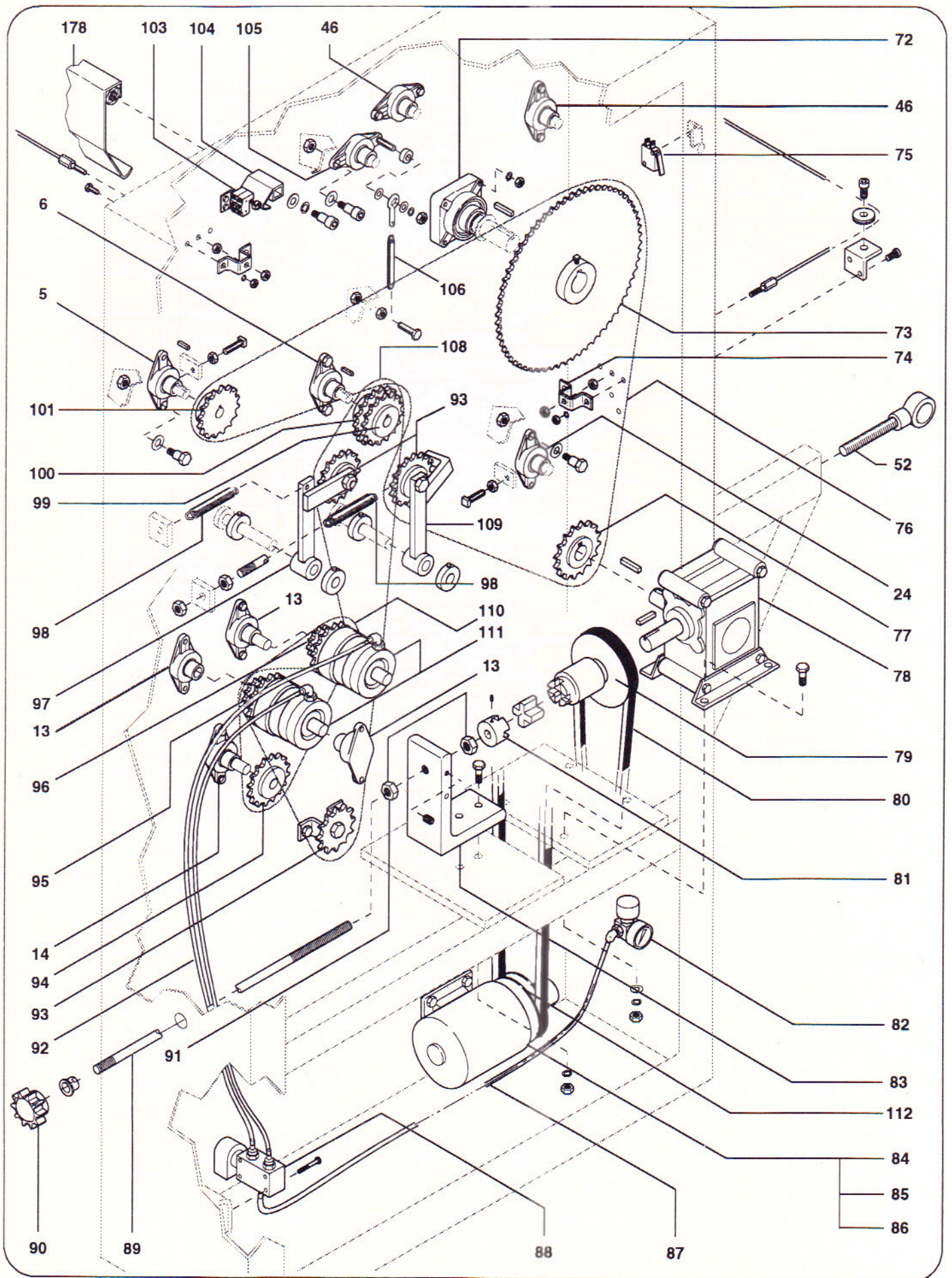
**MODEL S/AF 2000 - LEFT END**



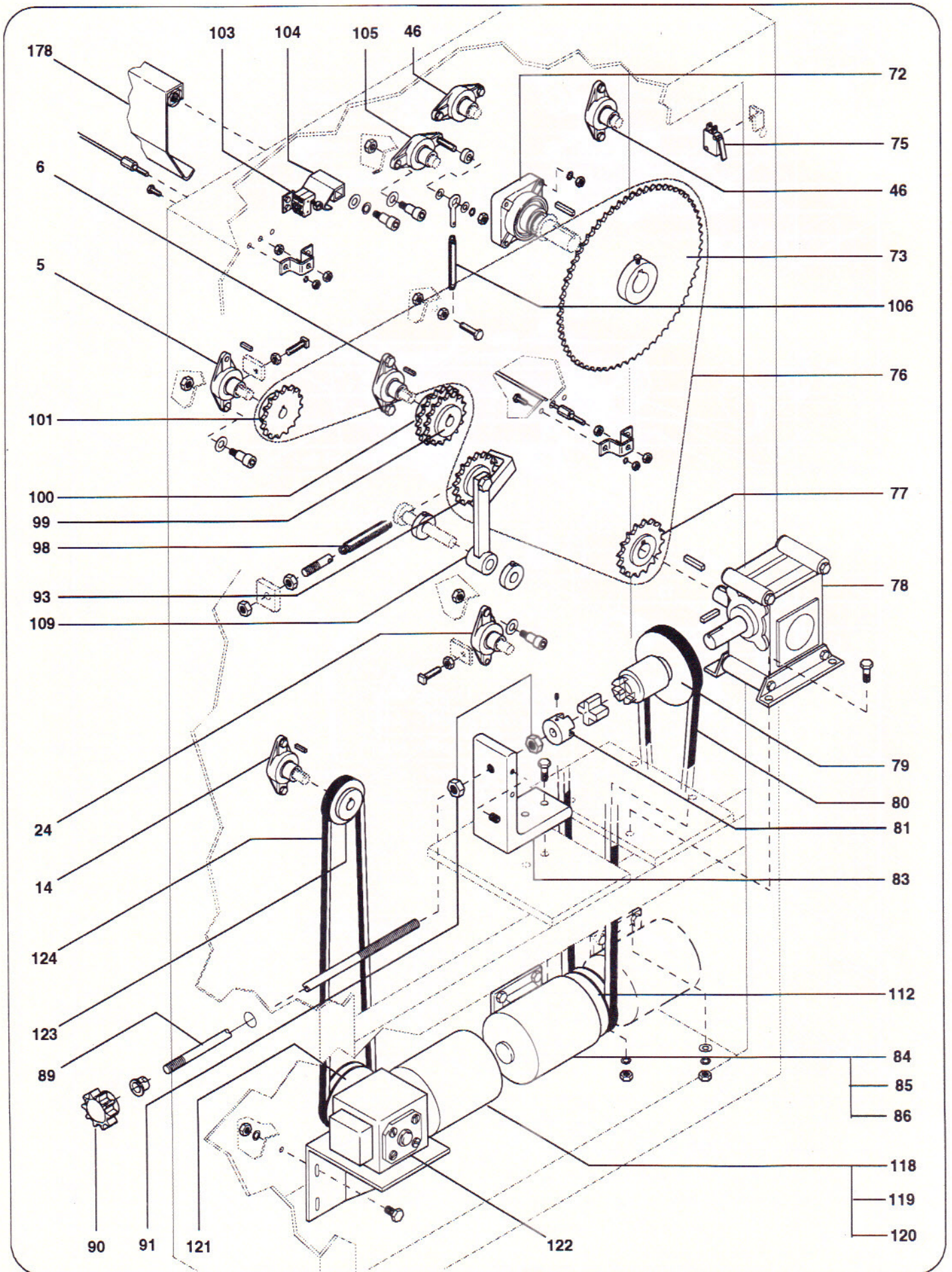
**MODEL GR 2000 - LEFT END**



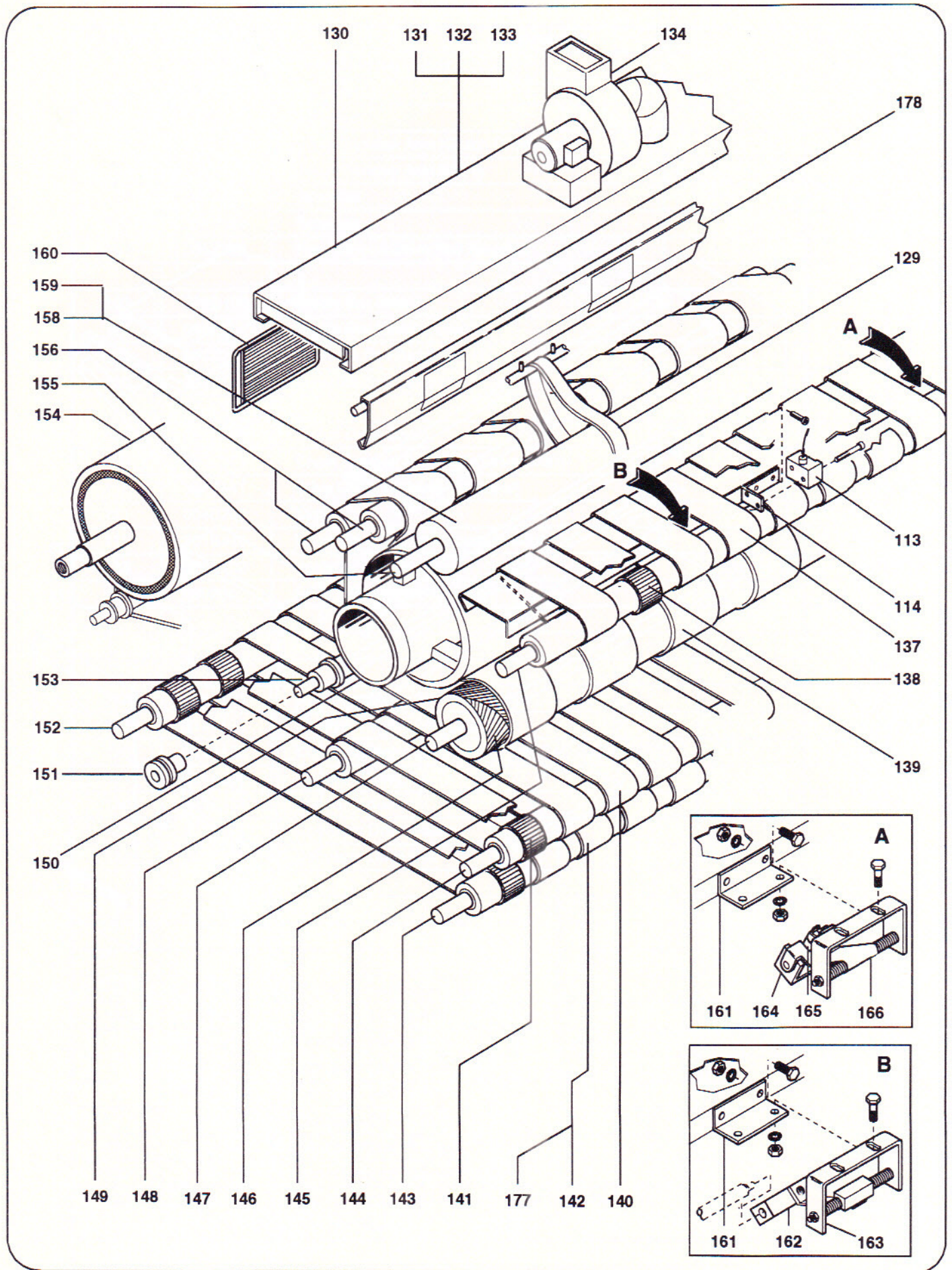
**MODEL SR 2000 - LEFT END**



**MODEL G/AF OR S/AF 2000 - RIGHT END**

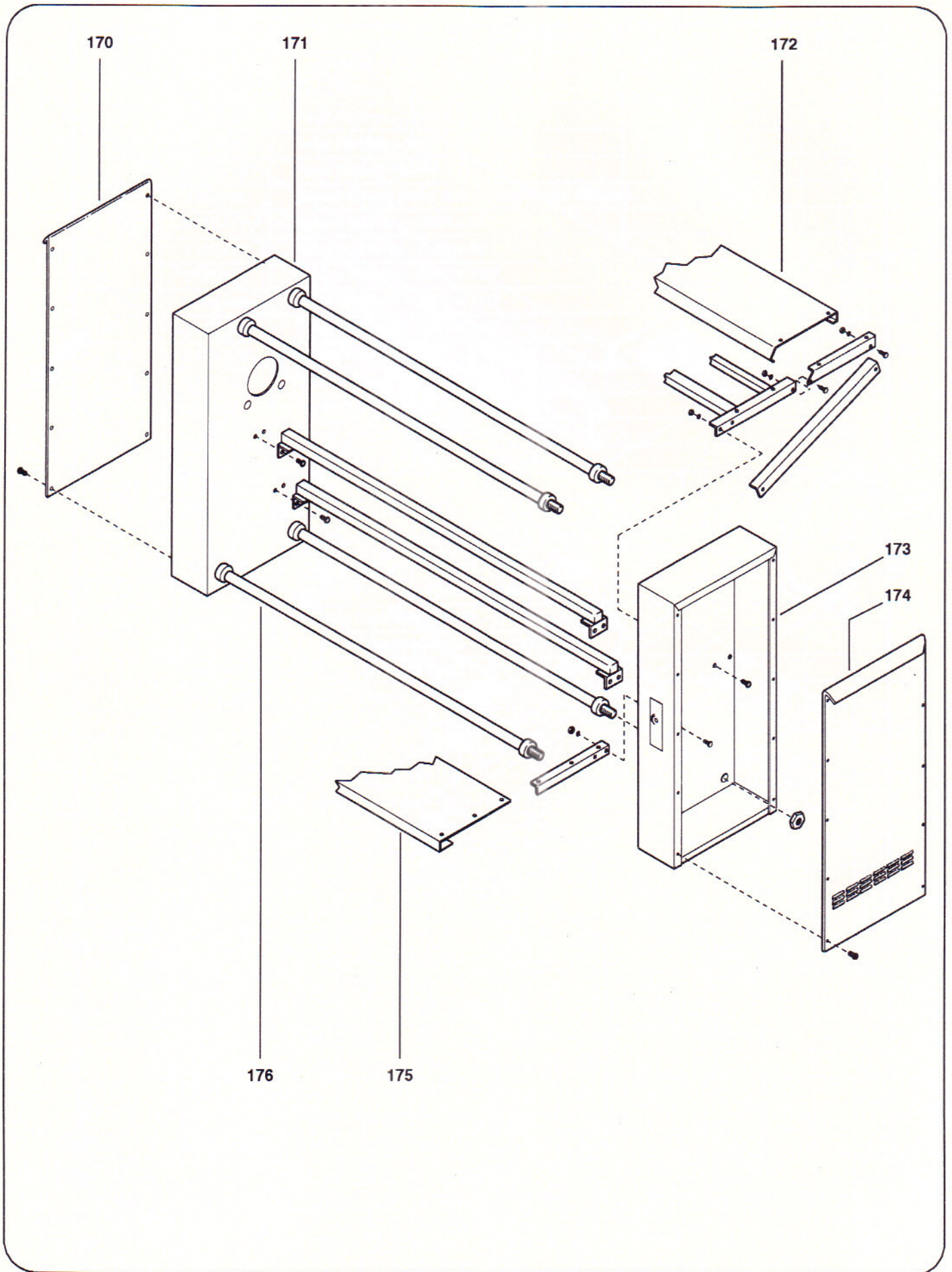


**MODEL SR OR GR 2000 - RIGHT END**



**MODEL 2000 - FRONT VIEW**





**MODEL 2000 - FRAME**

## Any Questions?

[parts@cmvsharperfinish.com](mailto:parts@cmvsharperfinish.com)

[service@cmvsharperfinish.com](mailto:service@cmvsharperfinish.com)

**CMV SHARPER FINISH, INC.**

4500 Augusta Boulevard • Chicago, Illinois 60651 U.S.A.

Phone (773) 276-4800 • Fax (773) 276-6878

[sales@cmvsharperfinish.com](mailto:sales@cmvsharperfinish.com)