

# **Basic PARTS IDENTIFICATION**

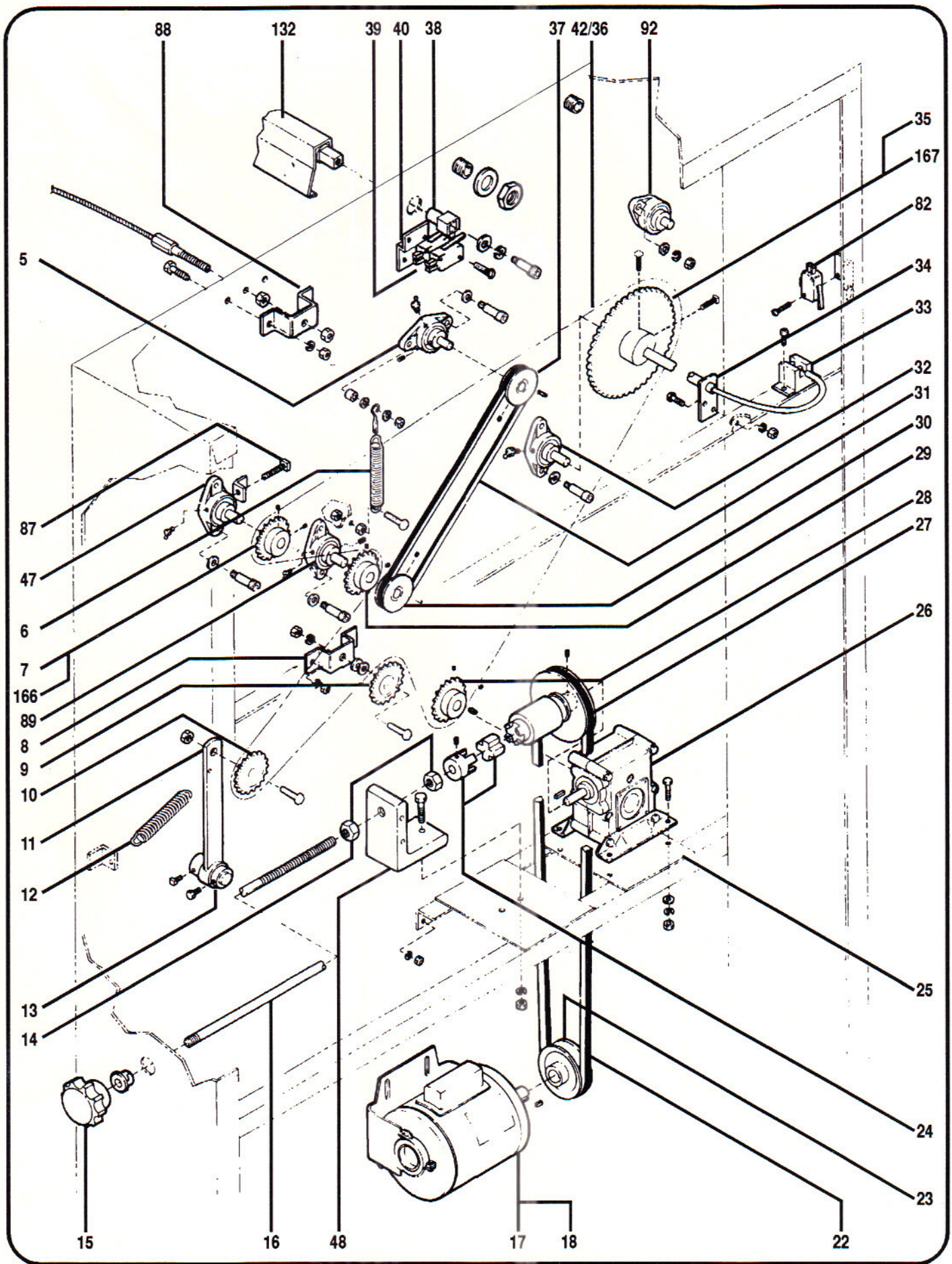
***FOR***

## **The Model 1200 FLATWORK IRONER**

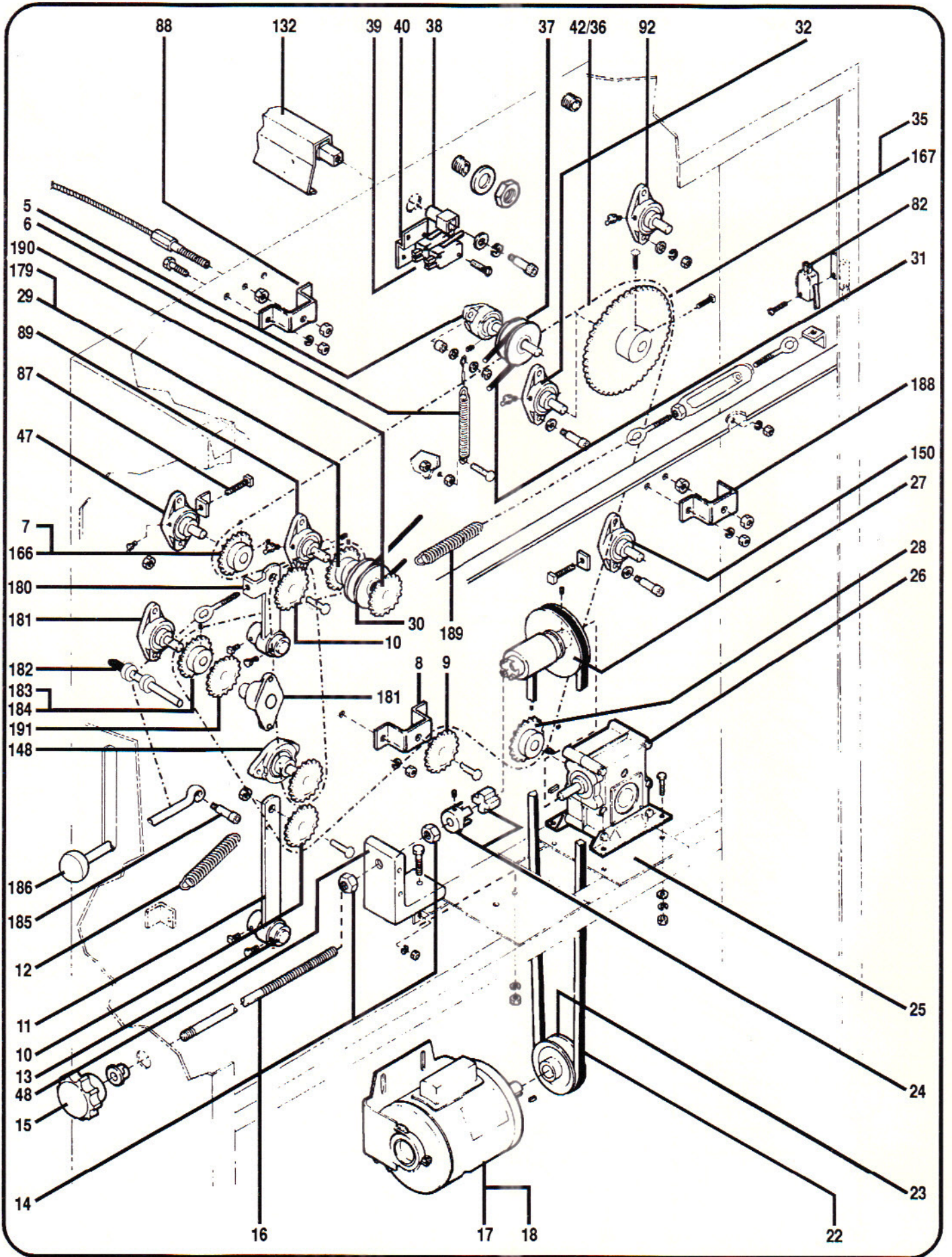
**(Identificacion de los partes basicos del Modelo 1200 FLATWORK IRONER)**

**The following is general parts I.D. numbering for the gas, steam, and electric Model 1200 models. When contacting our parts department ( [parts@cmvsharperfinish.com](mailto:parts@cmvsharperfinish.com) , or 1-773-276-4800, ext. 12 ), have your model number and serial number available. State the referenced number of the part you need. Our parts department will then provide you the part number and description of the part.**

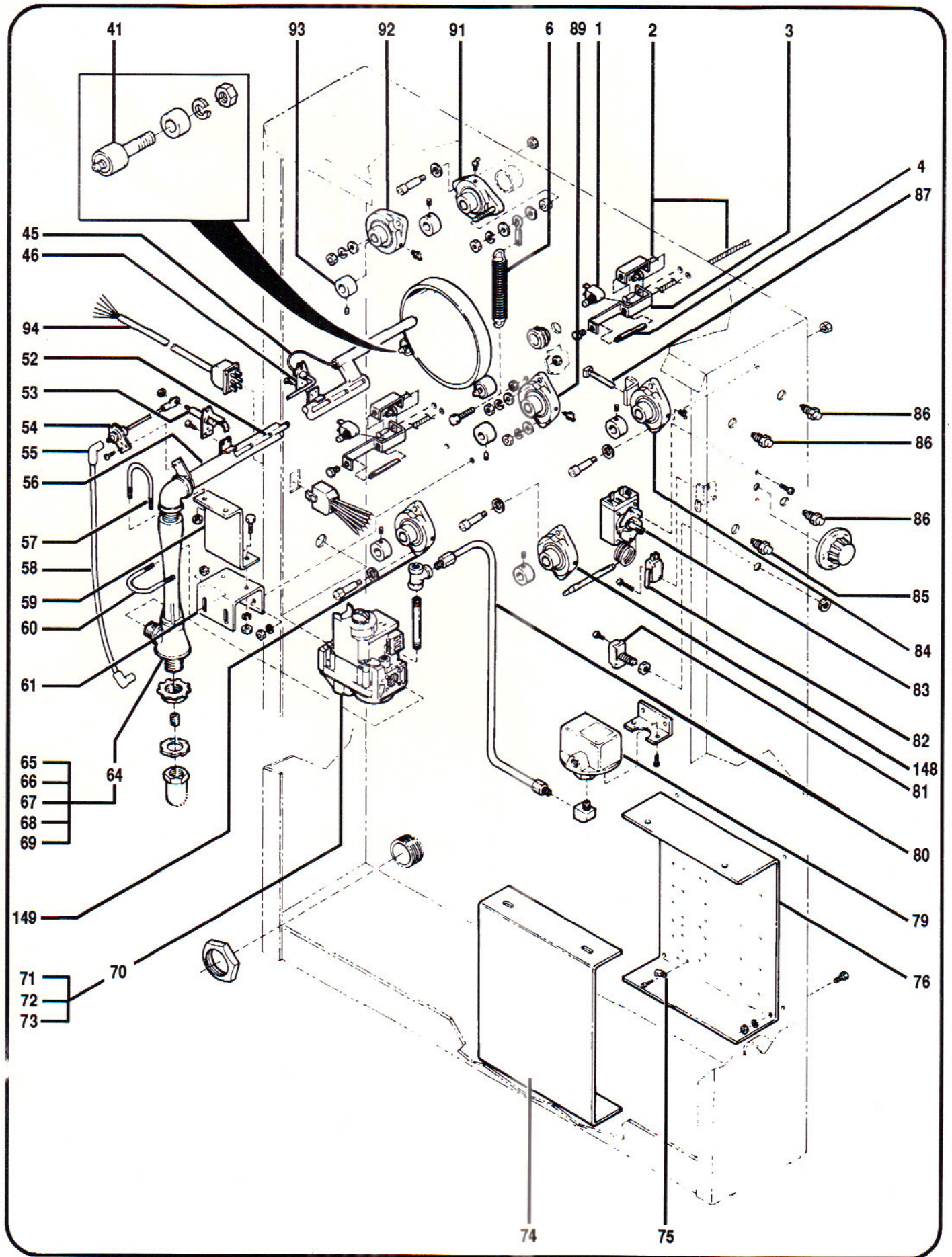
**Lo siguiente son las partes generals, numero de ID, Modelos del gas, vapor, y la electricidad de Modelo 1200 . Comunicarse a nuestro departamento de partes a ( [parts@cmvsharperfinish.com](mailto:parts@cmvsharperfinish.com) , o al 1-773-276-4800, ext. 12 ). Tenga listos los numeros del modelo y de la serie. Indique el numero de la referencia de la parte que usted necesita. Entonces nuestro departamento de partes le proveera el numero y la descripcion de la parte requerida.**



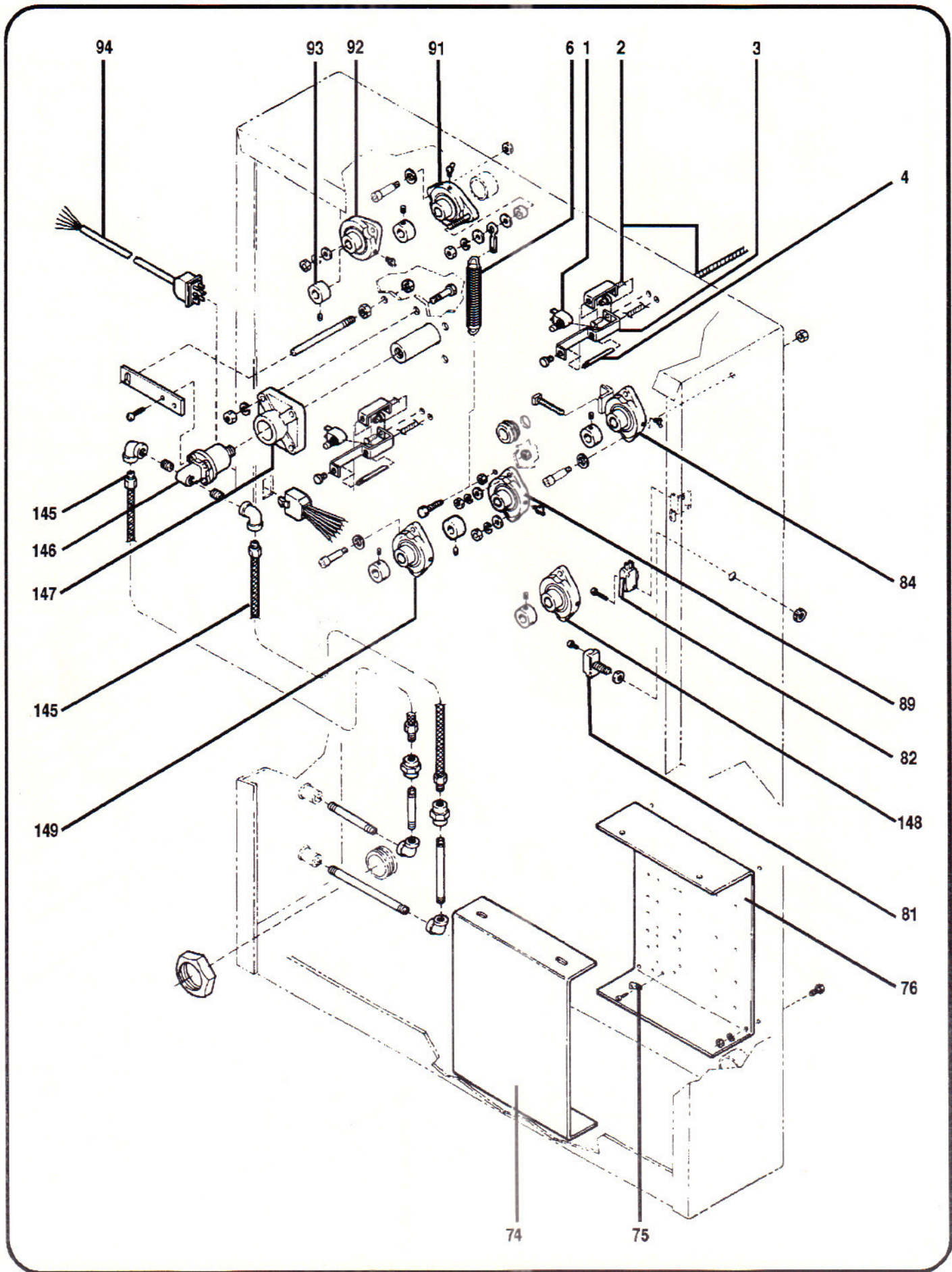
Model GF, SF or EF 1200 - Right End



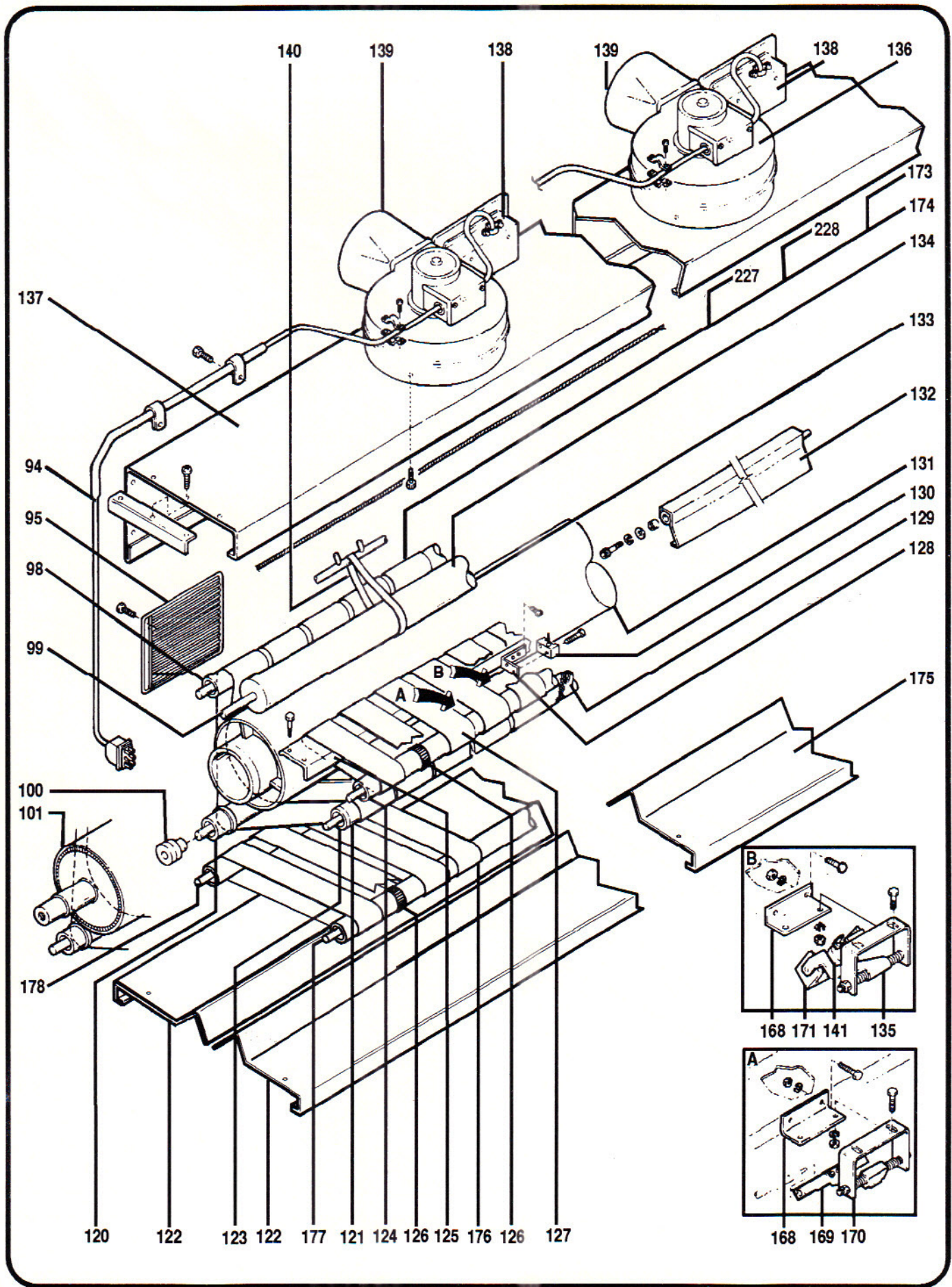
Model GR, SR or ER 1200 - Right End



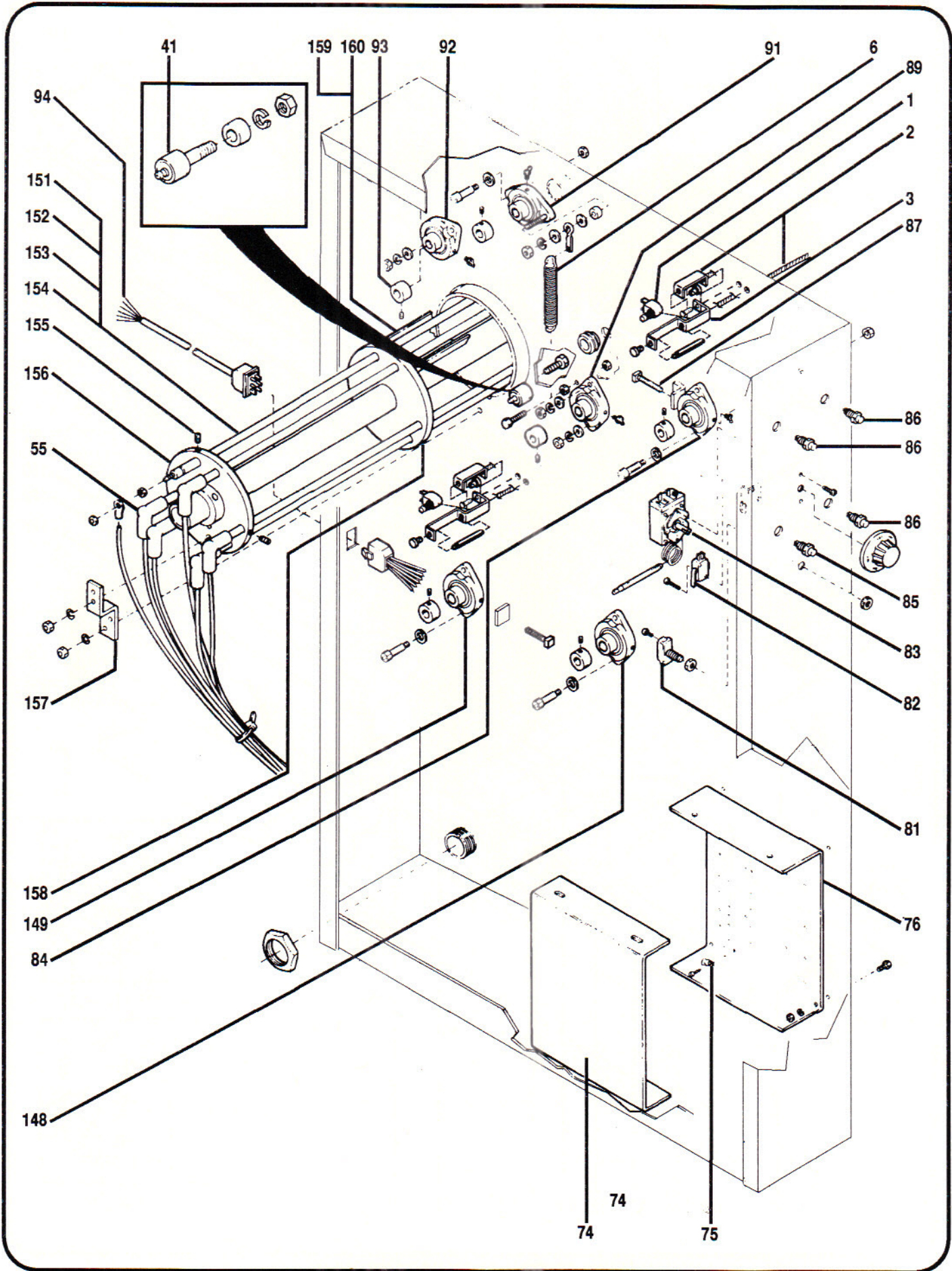
Model GR or GF 1200 - Left End



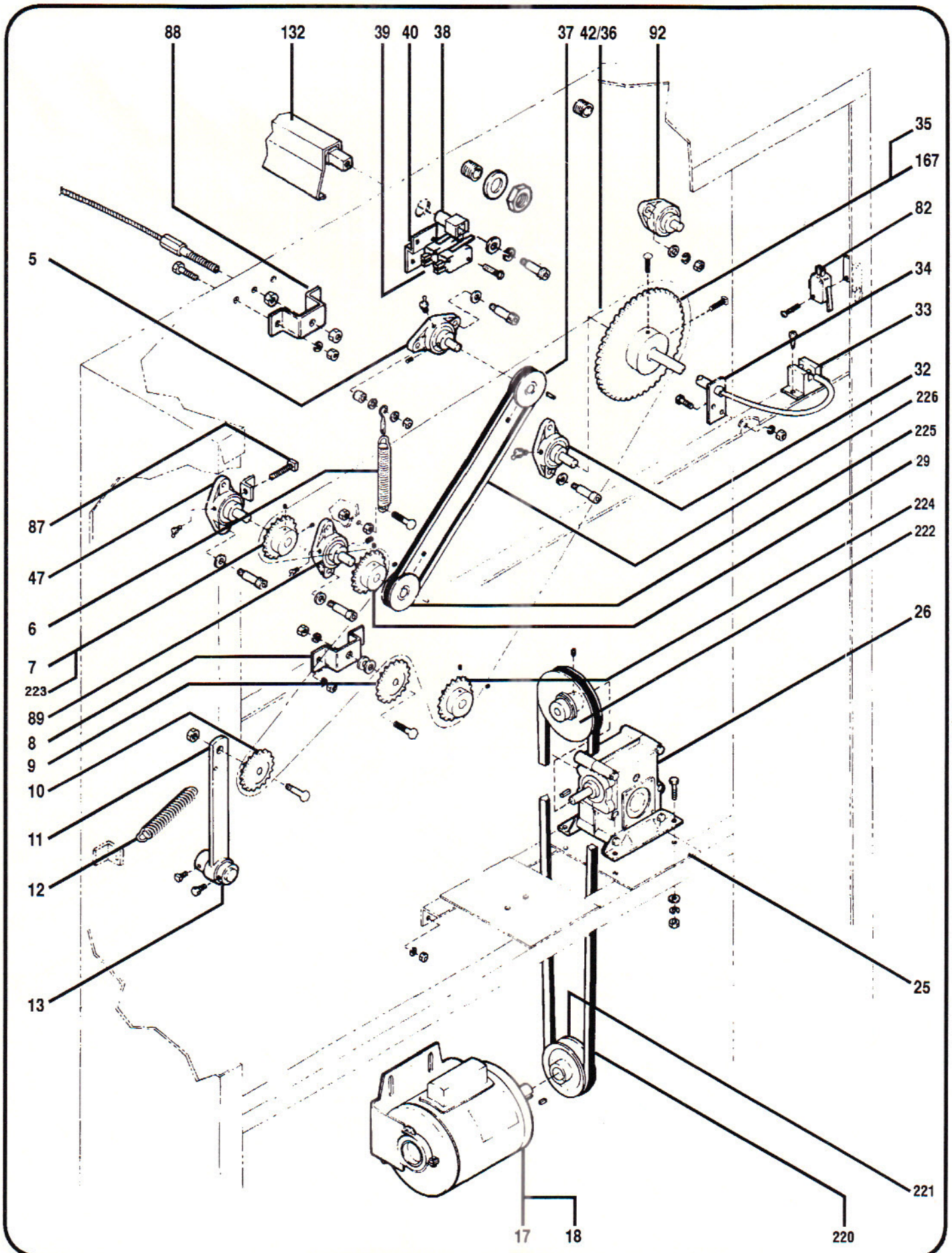
Model SR or SF 1200 - Left End



Model GR, SR, ER or GF, SF, EF 1200 - Front View

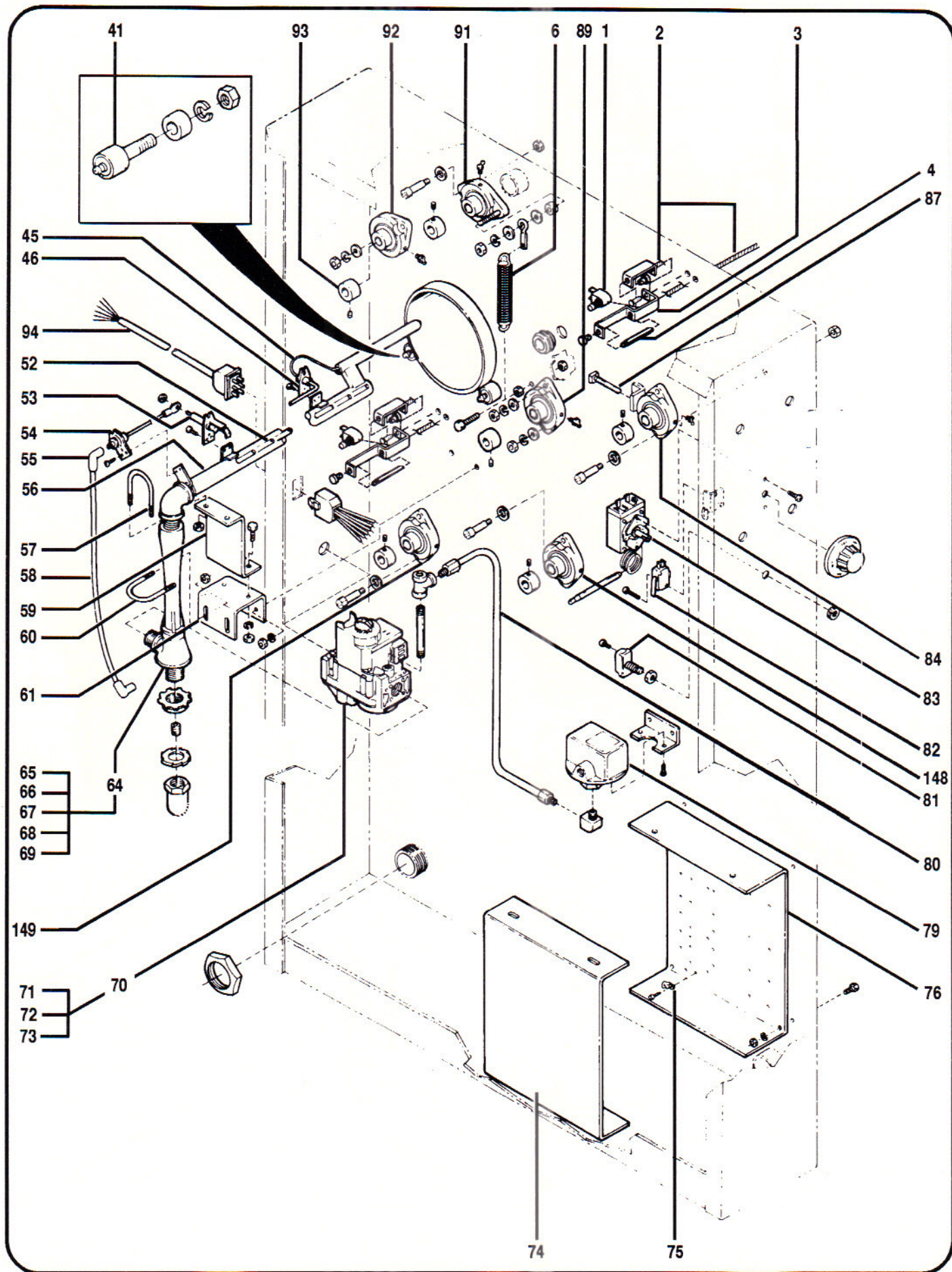


Model ER or EF 1200 - Left End

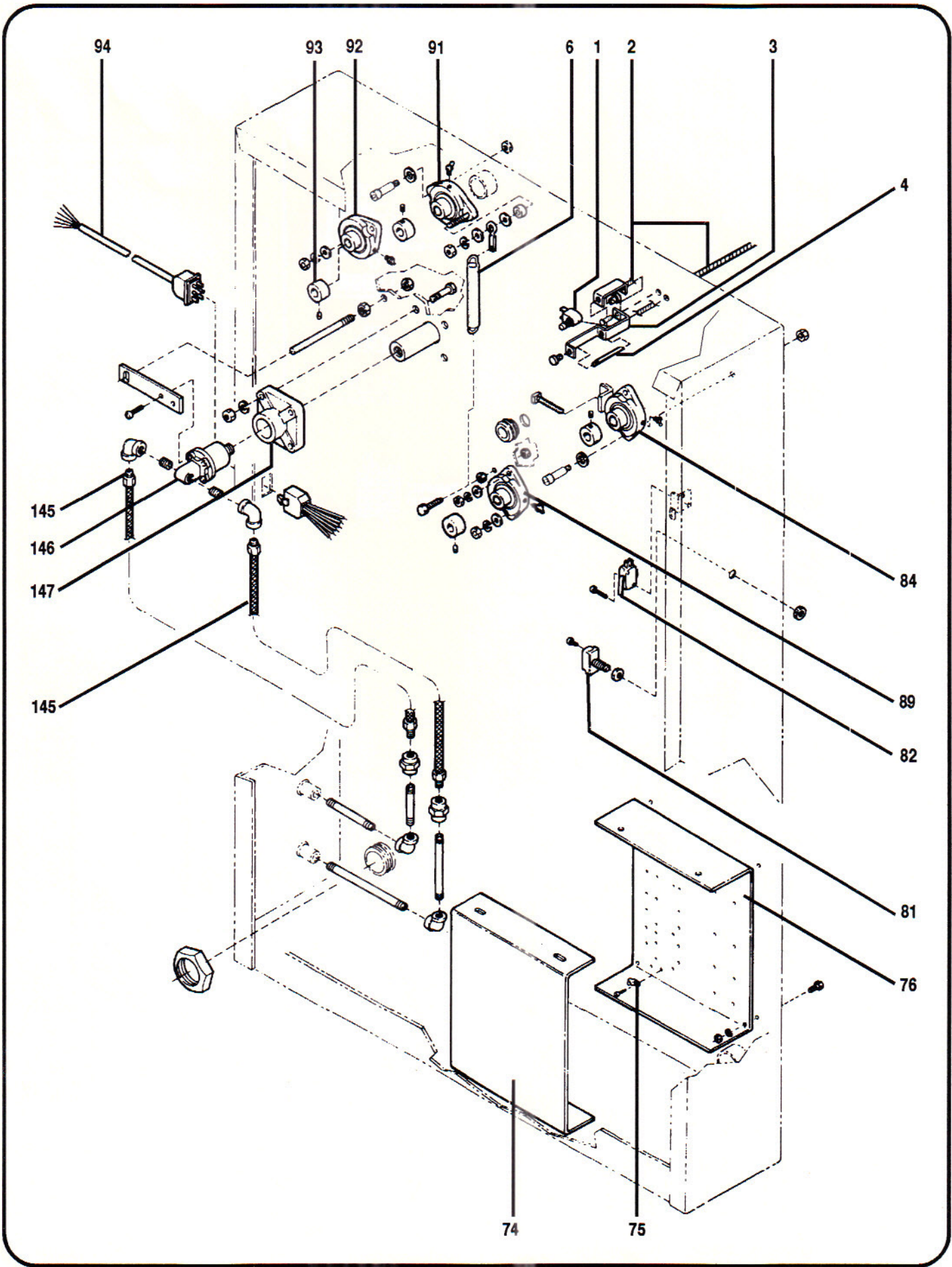


Glider Model G and S - Right End

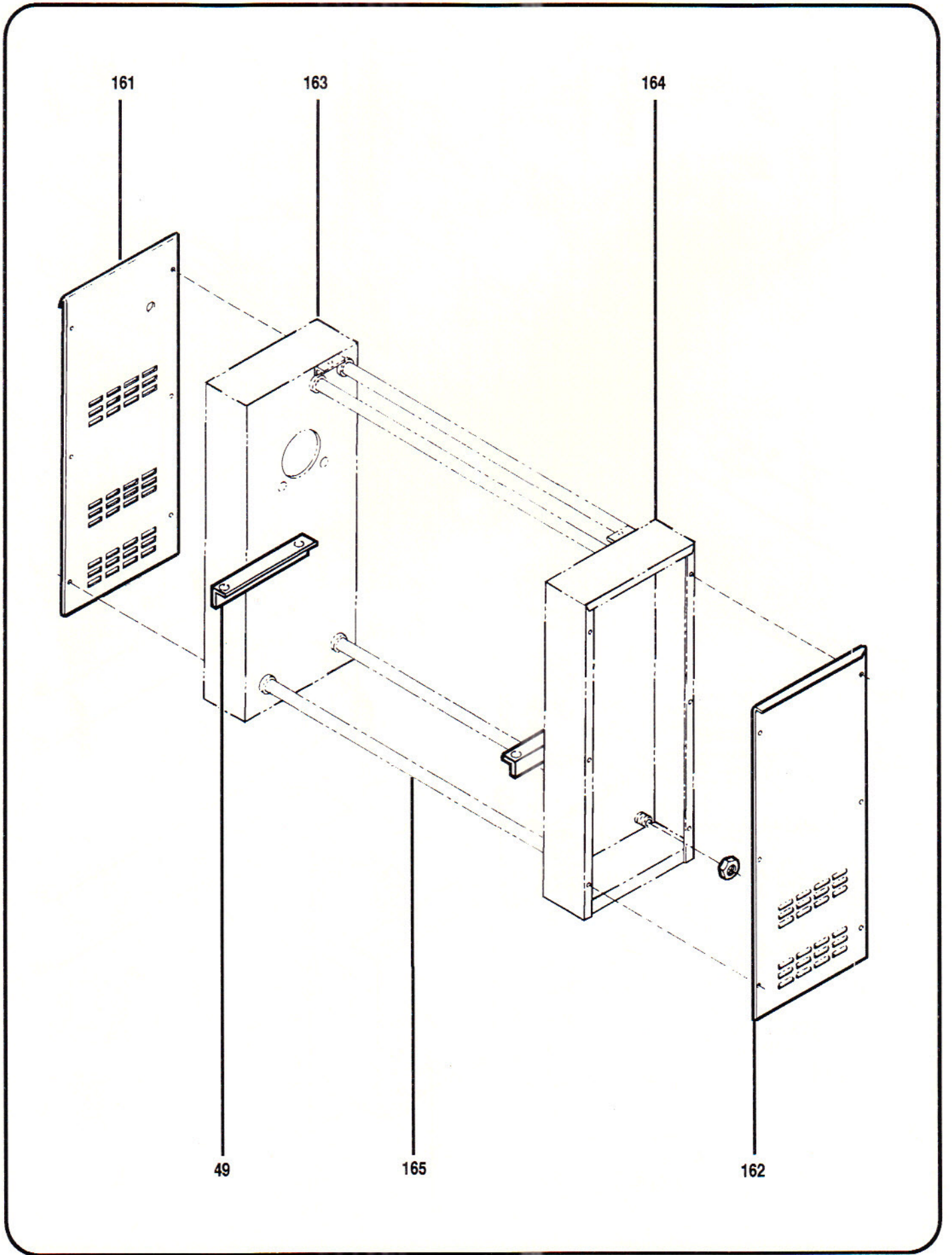




Glider Model G - Left End



Glider Model S - Left End



Model 1200 - Frame

## Any Questions?

[parts@cmvsharperfinish.com](mailto:parts@cmvsharperfinish.com)

[service@cmvsharperfinish.com](mailto:service@cmvsharperfinish.com)

**CMV SHARPER FINISH, INC.**

4500 Augusta Boulevard • Chicago, Illinois 60651 U.S.A.

Phone (773) 276-4800 • Fax (773) 276-6878

[sales@cmvsharperfinish.com](mailto:sales@cmvsharperfinish.com)