



CMV SHARPER FINISH, INC.

FLATWORK IRONERS

**EXHAUST, VENTING, AND
MAKE-UP AIR REQUIREMENTS**

MODELS COVERED

Finish Rite	Model 2400
Impress 950	Finish Master 2400
950 x 82	IFCS 2400
Glider	Model 3000
Model 1200	Finish Master 3000
Model 1600	IFCS 3000
Finish Master 1600	Model 3600
Model 2000	Finish Master 3600
Finish Master 2000	IFCS 3600
IFCS 2000	All PRS Models

CMV SHARPER FINISH, INC.

**4500 Augusta Blvd. • Chicago, Illinois 60651 U.S.A.
773-276-4800 • FAX 773-276-6878**

***WARNING NOTICE: Don't even think about operating this
Flatwork Ironer before reading and following these instructions.***

NOTE:

An Ironer that is vented improperly may cause a variety of operational problems. You must vent the Ironer properly. Consult the factory if you have any questions.

ⓘ WARNING

IF NOT INSTALLED, OPERATED, AND MAINTAINED IN ACCORDANCE WITH THE MANUFACTURER'S INSTRUCTIONS OR IF THERE IS DAMAGE TO OR MISHANDLING OF THIS PRODUCT'S COMPONENTS, USE OF THIS PRODUCT COULD EXPOSE YOU TO SUBSTANCES IN THE FUEL OR FROM FUEL COMBUSTION WHICH CAN CAUSE DEATH OR SERIOUS ILLNESS AND WHICH ARE KNOWN TO THE GOVERNMENT TO CAUSE CANCER, BIRTH DEFECTS, OR OTHER REPRODUCTIVE HARM.

⚠ WARNING

For your safety the information in this manual must be followed to minimize the risk of fire or explosion or to prevent property damage, personal injury or loss of life.

- Do not store or use gasoline or other flammable vapors and liquids in the vicinity of this or any other appliance.
- WHAT TO DO IF YOU SMELL GAS:
 - Do not try to light any appliance.
 - Do not touch any electrical switch; do not use any phone in your building.
 - Clear the room, building or area of all occupants.
 - Immediately call your gas supplier from a neighbor's phone. Follow the gas supplier's instructions.
 - If you cannot reach your gas supplier, call the fire department.

A qualified installer, service agency or the gas supplier must perform installation and service.

⚠ WARNING

TO REDUCE THE RISK OF COMBUSTION GAS ACCUMULATION (CARBON MONOXIDE AND CARBON DIOXIDE) EXHAUST VENT MUST BE VENTED TO THE OUTDOORS. VENT MUST NOT BE REDUCED OR RESTRICTED IN ANY MANNER. RUNS SHOULD BE AS SHORT AS POSSIBLE.

⚠ WARNING

BACK PRESSURE IN THE EXHAUST VENT CAN CAUSE DEADLY GASES TO FLOW BACKWARD INTO THE OPERATING AREA. THE EXHAUST VENT MUST NOT BE SHARED WITH OTHER EQUIPMENT. ADEQUATE MAKE-UP AIR FOR OPERATOR BREATHING MUST BE PROVIDED TO REPLACE THE AIR REMOVED BY THE EXHAUST BLOWER. BACK PRESSURE WILL ALSO CAUSE OVERHEATING.

FOR YOUR SAFETY

Do not store or use gasoline or other flammable vapors and liquids in the vicinity of this or any other appliance.

VENTING / EXHAUST INSTALLATION

To insure safe and reliable operation this flatwork ironer must be exhausted to the outdoors by the shortest route.

This exhaust duct must be independent and not connected with any other equipment. Interconnection with any other equipment can cause a health hazard and reduced capacity.

Each gas or electrically heated flatwork ironer is equipped with an airflow or pressure differential switch. This switch closes when air is exhausting from the blower. Should this flow be restricted the machine will not heat. **DO NOT ATTEMPT TO ADJUST THIS SWITCH.**

Exhaust ducts shall be constructed of sheet metal or other noncombustible material. Such ducts shall be equivalent in strength and corrosion resistance to ducts made of galvanized sheet steel not less than 0.0195 inch thick. **DO NOT USE FLEXIBLE OR CORRUGATED TYPE.** Use straight-pipe when possible.

Properly sized exhaust ducts are essential for proper operation. All elbows should be 90-degree sweep type. Do not install 90-degree sharp angle type. Exhaust ducts must be assembled so the interior surfaces are smooth. Use pop rivets for attaching ducts. If sheet metal screws are used they must be installed so the points do not protrude inside the duct.

Where the exhaust duct pierces the wall or ceiling, an opening having a diameter of four inches larger than the diameter of the exhaust duct shall be provided and the exhaust duct centered within the opening. When ducts pass through walls, floors or partitions, the space around the duct shall be sealed with noncombustible material.

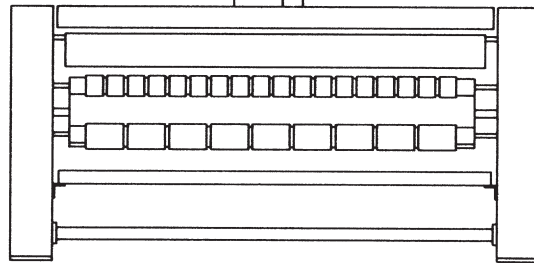
The size of an unusually long duct (over twenty feet) or a duct having numerous elbows should have a booster fan as close to the end of the run as possible. The diameter of a round duct should be increased 10% for each additional 20 feet, and a booster fan should be used.

NOTE: The installer must insure that the exit airflow is the same as the airflow delivered by the blower. If not, a booster fan should be added to the end of the vent run.

⚠ WARNING

To reduce the risk of fire and accumulation of combustible gases, *DO NOT* exhaust Ironer air into a window well, gas vent, chimney or enclosed, unventilated area such as an attic wall, ceiling, crawl space under a building, or concealed space of a building.

MINIMUM DIA. 4" → ← MUST BE INDEPENDENT VENT
DO NOT CONNECT WITH OTHER
EQUIPMENT.



Recommended Exhaust Duct Arrangement for
Finish Rite or Impress 950

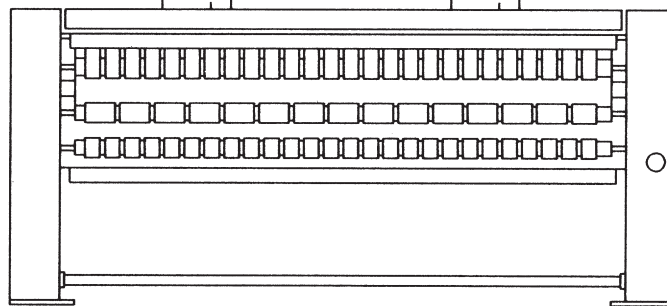
VENT OUTSIDE WALL OR ROOF WITH "GOOSENECK DOWN".

DO NOT INSTALL CAP, SCREEN, LOUVER, OR FLAPPER AT END OF DUCT RUN.

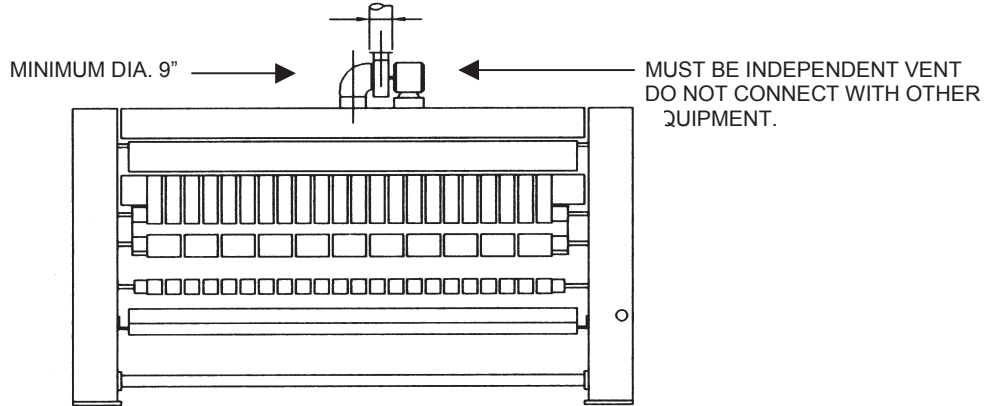
2 - 4" DIAMETER VENTS MAY BE
TIED INTO ONE 6" DIAMETER VENT
USING A "Y" CONNECTION.

MINIMUM DIA. 4"

← MUST BE INDEPENDENT VENT
DO NOT CONNECT WITH OTHER
EQUIPMENT.



Recommended Exhaust Duct Arrangement for
950 x 82, Model 1200, and Glider

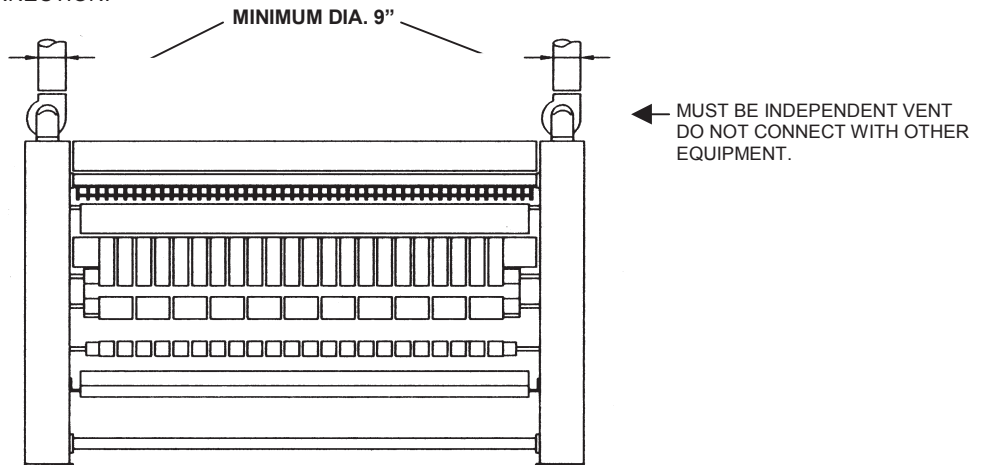


Recommended Exhaust Duct Arrangement
for all Models 1600, 2000, 2400,

VENT OUTSIDE WALL OR ROOF WITH "GOOSENECK DOWN".

DO NOT INSTALL CAP, SCREEN, LOUVER, OR FLAPPER AT END OF DUCT RUN.

2 – 9" OR 10" DIAMETER VENTS MAY
BE TIED INTO ONE 14" DIAMETER
VENT USING A "Y" CONNECTION.



Recommended Exhaust Duct Arrangement for
All Models 3000 and 3600.

MAKE-UP AIR

A flatwork ironer is forced air exhausted and requires provisions for make-up air to replace the air exhausted by the ironer.

IMPORTANT: Do not obstruct the flow of combustion and ventilation air.

The canopy motor/blower unit of your flatwork ironer is designed to exhaust heat, moisture and products of combustion from the laundry area. To replace this exhausted air, fresh make-up air must be provided to the room in which the flatwork ironer is installed.

We recommend that one square foot of outdoor make-up air be provided for each 100,000 BTU of the average gas consumed. The following chart is offered as a guideline and should be increased if other appliances are installed in the same area.

Model	Square Inches of Make-up Air	Suggested Size of Opening
Finish Rite	64	8" x 8"
950	92	10" x 10"
1200 & Glider	130	12" x 12"
All 1600's	190	14" x 14"
All 2000's	238	16" x 16"
All 2400's	427	21" x 21"
All 3000's	535	24" x 24"
All 3600's	675	26" x 26"

Protective louvers in the opening to the outdoors can reduce air movement by approximately 40 percent. The opening must compensate for the area taken up by the louvers.

ⓘ WARNING

Solvent fumes from drycleaning machines create acids when drawn through the heater of a Flatwork Ironer. These acids are corrosive.

Be sure make-up air is free of solvent fumes.

If the drycleaning machines are in the same area as the Ironer then the Ironer make-up air must come from a source free of solvent fumes.

After final testing, and in order to reduce the height of the machine crate, the motor/blower unit(s) of all model 1600, 2000, 2400, 3000, and 3600 machines is removed and fastened to the skid of the machine.

To avoid damage to the motor/blower unit(s) it should be removed from the skid before removing the machine.

After the machine is in position the motor/blower unit(s) should be positioned on top of the machine and securely bolted down.

Reconnect the electric wires to the motor/blower unit. BEFORE connecting discharge piping BE SURE BLOWER IS RUNNING IN CORRECT DIRECTION. Rotation decals indicate the correct direction. DO NOT depend on air exhausting from the blower discharge as an indication of correct rotation. A certain amount of air will discharge even if the blower is running in the wrong direction.

Observe warning labels on blower.

Wires from the machine controls and from the motor/blower unit are numbered. BE SURE numbers match.

➡ **TROUBLESHOOTING – ALL SYMPTOMS OF POOR VENTING:**

- ☑ Ironer will not light, or will not stay lit.
- ☑ Ironer is “scalding” to the touch.
- ☑ Ribbons or rubber crowns are “walking”.
- ☑ Streaks on your linen.
- ☑ Bearings dry out much faster than normal.

➡ **WARNING**

Failure to install, maintain, and/or operate this machine according to manufacturer’s instructions may result in conditions which can produce serious injury, death and/or property damage.

Any Questions?

parts@cmvsharperfinish.com

service@cmvsharperfinish.com

CMV SHARPER FINISH, INC.

4500 Augusta Boulevard • Chicago, Illinois 60651 U.S.A.

Phone (773) 276-4800 • Fax (773) 276-6878

sales@cmvsharperfinish.com